

wedi Shower Accessories

- Modular factory constructed benches, seats, niches, curbs and ramps to meet all your shower design needs
- 100 % waterproof and vapor retarding – wedi XPS foam.
- Insulating properties reduce vapor transmission pressure and save energy
- No need for framework support under wedi preformed seating modules.
- Broad variety of standard products and limitless custom fabrication possibilities
- Fast, clean and efficient installation through full prefabrication of modules

General product description

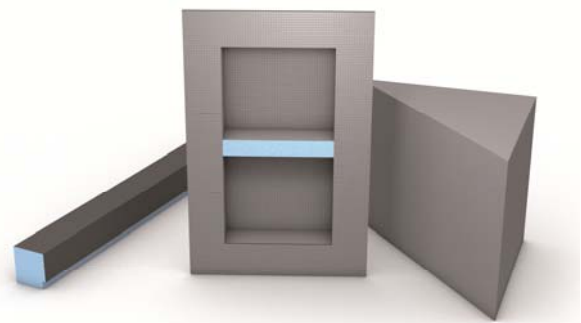
wedi prefabricated modular accessories open up a whole new world of design possibilities for showers, wet areas and baths. wedi prefabricates many products and provides solutions for on-site customization of shapes and styles. Not only can you waterproof your tile substrates, but you can eliminate wooden framework by installing prefabricated design elements tailored to fit your special needs. wedi Prefabricated Elements include shower seats and benches, niches, curbs and ramps.

Areas of application

- New Construction of Residential/ Commercial use buildings
- Renovation in Residential/Commercial use buildings
- Wet areas such as such as bath rooms, showers , steam showers and spas

Product features

- 100% waterproof due to its extruded polystyrene (closed cell) foam core
- 100% mold and mildew proof due to the product's natural composition.
- Ready to tile surface made of reinforcing fiberglass mesh embedded in a heavy duty cement resin coating performing as a strong tile backing and strong enough surface to work on during system installation and prior to tiling
- High insulating properties due to its extruded polystyrene core giving tile or stone finish surfaces a warmer touch.
- Extremely lightweight due to its rigid foam core benefitting installations over older structures and handling on construction sites.
- Easy and clean to cut to size using a variety of standard manual or table/ powered saws.
- No limitation to use of cement based thinset mortars and grouts. Product also works perfectly with polyurethane or epoxy based grouts.
- Dimensionally stable, inert, do not deteriorate
- Contain no fibers or paper layers; and will not delaminate or fuel flames in fire emergencies



Certification

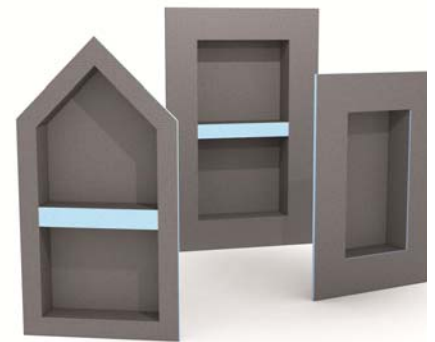
Building & Plumbing Code Compliance

2015,2012,and 2009 International Plumbing Code (IPC)	Compliant
2015,2012, and 2009 International Residential Code (IRC)	Compliant
2015,2012, and 2009 International Building Code (IBC)	Compliant
2010 and 2005 National Plumbing Code of Canada	Compliant
2012 and 2009 Uniform Plumbing Code (UPC)	Compliant
2012 and 2009 National Standard Plumbing Code (NSPC)	Compliant
City of L.A. Approval	Approved; Report No M-100017 in reference to ICC ES PMG 1189
North- American Approvals/ Code Compliances & Quality Management	ICC ES PMG 1189

Product Range – wedi Recessed Shower Niches

wedi prefabricated Recessed Shower Niches are fabricated from ½” Building Panels and come in multiple size and design options. The perfect fit for all your shower necessities, our niches install quickly and safely, and integrate flush into the wall panel assembly with wedi fasteners.

wedi Recessed Shower Niche	Outside Dimensions	Inside Dimensions	Item #
wedi Recessed Shower Niche 16 in. x 8 in.	16" x 8" x 4"	13" x 5" x 3"	US3000003
wedi Recessed Shower Niche 16 in. x 12 in.	16" x 12" x 4"	13" x 9" x 3"	US3000004
wedi Recessed Shower Niche 16 in. x 16 in.	16" x 16" x 4"	13" x 13" x 3"	US3000005
wedi Recessed Shower Niche 16 in. x 22 in. with adjustable shelf	16" x 22" x 4"	13" x 19" x 3" Shelf: 2"	US3000007
wedi Recessed Shower Niche 16 in. x 30 in. Cathedral with adjustable shelf	16" x 30" x 3 7/8"	12" x 25 3/16" x 3 1/8" Shelf: 2"	US3000016
wedi Recessed Shower Niche 16 in. x 42 in. with adjustable shelves (2)	16" x 42" x 4"	12" x 38 1/8" x 3 1/4" Shelf: 2"	US3000024



Installation Instructions – wedi Recessed Shower Niches

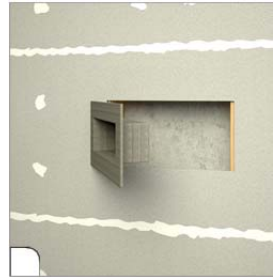


16" x 8" Rectangular Niche

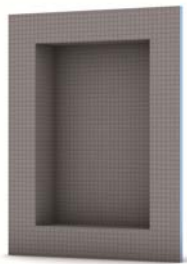


Cut out a space of the existing 1/2" wall panel 16" x 8" so that the niche flanges can rest on the 2' x 4' studs (16" o.c.) on both sides and line up flush with the surrounding backerboard or drywall panels.

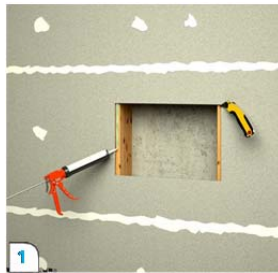
Apply a bead of wedi joint sealant onto exposed stud, as well as along inside edges of wall panel.



Insert the wedi niche into opening.
Apply a bead of wedi joint sealant along the outside seam and smooth out with a putty knife to cover and waterproof the seam.

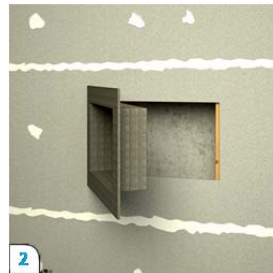


16" x 12" Rectangular Niche

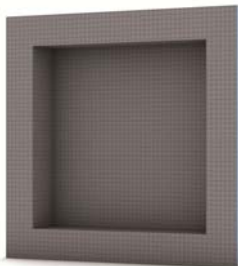


Cut out a space of the existing 1/2" wall panel 16" x 12" so that the niche flanges can rest on the 2' x 4' studs (16" o.c.) on both sides and line up flush with the surrounding backerboard or drywall panels.

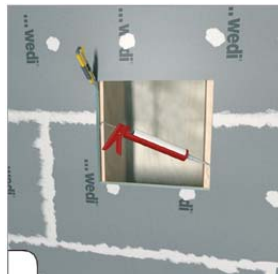
Apply a bead of wedi joint sealant onto exposed stud, as well as along inside edges of wall panel.



Insert the wedi niche into opening.
Apply a bead of wedi joint sealant along the outside seam and smooth out with a putty knife to cover and waterproof the seam.

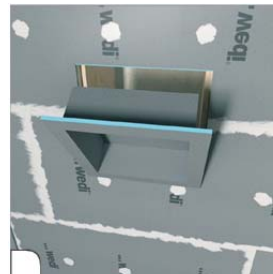


16" x 16" Square Niche



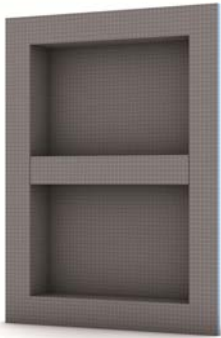
Cut out a space of the existing 1/2" wall panel 16" x 16" so that the niche flanges can rest on the 2' x 4' studs (16" o.c.) on both sides and line up flush with the surrounding backerboard or drywall panels.

Apply a bead of wedi joint sealant onto exposed stud, as well as along inside edges of wall panel.



Insert the wedi niche into opening.
Apply a bead of wedi joint sealant along the outside seam and smooth out with a putty knife to cover and waterproof the seam.





16" x 22" Rectangular Niche

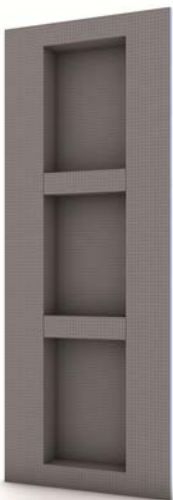


1
Cut out a space of the existing 1/2" wall panel 16" x 22" so that the niche flanges can rest on the 2' x 4' studs (16" o.c.) on both sides and line up flush with the surrounding backerboard or drywall panels.

Apply a bead of wedi joint sealant onto exposed stud, as well as along inside edges of wall panel.



2
Insert the wedi niche into opening.
Apply a bead of wedi joint sealant along the outside seam and smooth out with a putty knife to cover and waterproof the seam.



16" x 42" Rectangular Niche



1
Cut out a space of the existing 1/2" wall panel 16" x 42" so that the niche flanges can rest on the 2' x 4' studs (16" o.c.) on both sides and line up flush with the surrounding backerboard or drywall panels.

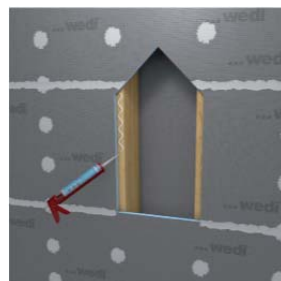
Apply a bead of wedi joint sealant onto exposed stud, as well as along inside edges of wall panel.



2
Insert the wedi niche into opening.
Apply a bead of wedi joint sealant along the outside seam and smooth out with a putty knife to cover and waterproof the seam.

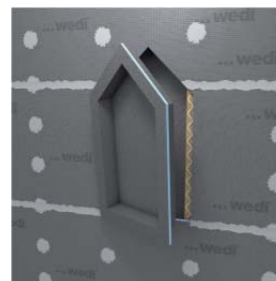


16" x 30" Cathedral Niche



1
Cut out a space of the existing 1/2" wall panel 16" x 30" to accommodate the cathedral niche shape, so that the niche flanges can rest on the 2' x 4' studs (16" o.c.) on both sides and line up flush with the surrounding backerboard or drywall panels.

Apply a bead of wedi joint sealant onto exposed stud, as well as along inside edges of wall panel.



2
Insert the wedi niche into opening.
Apply a bead of wedi joint sealant along the outside seam and smooth out with a putty knife to cover and waterproof the seam.



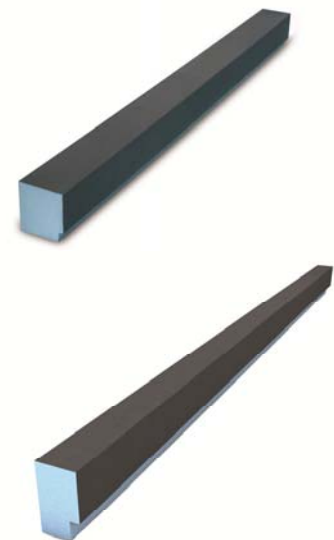
Product Range – wedi Shower Curbs and Ramps

Available in several options for shower entry designs where transitions are required, wedi curbs and ramps can be installed with wedi Fundo shower bases, as well as conventional mortar bed systems. Waterproof and versatile, wedi Curbs and Ramps may be tiled before any glass doors, panels or glass block is installed and can carry weight of up to 480 lbs./ft. Epoxy glue is recommended instead of screw fasteners when installing shower door tracks.

wedi Full Foam Curbs combine it all in one element when compared to traditional methods of 2' x 4' wood assembly, lath, mud and waterproofing. They come presloped so water runs back into the shower. Installation instructions can also be found in the wedi Fundo Primo Installation video (www.wedicorp.com)

wedi Curb Full Foam	Dimensions W X L X H	Item #
wedi 3 ft. Full Foam Curb	5" x 3' x 4 1/2"	US3000011
wedi 5 ft. Full Foam Curb	5" x 5' x 4 1/2"	074319002
wedi 8 ft. Full Foam Curb	5" x 8' x 4 1/2"	074319001

wedi Curb Full Foam Lean	Dimensions W X L X H	Item #
wedi 5 ft. Full Foam Curb Lean	2" x 5' x 3 1/2"	074319007
wedi 8 ft. Full Foam Curb Lean	2" x 8' x 3 1/2"	074319008



wedi Curb Overs are designed to water-proof over existing 2' x 4' wood constructions. A conventional PVC pan liner is sandwiched inside between the 2' x 4' and the wedi Curb Over. The wedi Curb Over will provide additional water-proofing and square corners for a perfect tile job. No fasteners should penetrate the curb except on the vertical outside of the shower. Attach with thinset mortar only. Please install curb over in accordance with the TCNA Handbook detail. Installation instructions can also be found in the wedi Curb Over Installation video (www.wedicorp.com)

wedi Curb Over	Dimensions W X L X H	Item #
wedi 5 ft. Curb Over	5" x 5' x 4 1/2"	US3000008
wedi 8 ft. Curb Over	5" x 8' x 4 1/2"	US3000010



The wedi Shower Ramp is used to create curbless showers without recessing the shower base into the subfloor. The ramp provides a 1" slope over a 12" length and meets ADA requirements. For ADA compliant installation, please ensure the lower edge of the ramp is installed against a 1/4" tile underlayment on a flat bathroom floor to create a slope of 1:12 inches. The ramp should not be tiled with tiles smaller than 4" x 4" when wheelchairs are used in this shower. Installation instructions can also be found in the wedi Fundo Primo Installation video (www.wedicorp.com)

wedi Shower Ramp	Dimensions W X L X H	Item #
wedi Shower Ramp (ADA Compliant)	12" x 5', sloped 1 1/2" to 1/4"	073736517



Installation Instructions – wedi Full Foam Shower Curb



A continuous 1/2" bead of sealant is set into the channel and along the vertical curb notch part. A circle of 1/2" sealant bead is set against the wall panels where the curb attaches. A 1/2" x 1/2" bed of thinset mortar is applied to the subfloor and a skim coat on the bottom surface of the curb as a best practice. The tightly fitting curb is pressed into the connection area.

Weight is applied on and against the curb (from outside) and another 1/2" bead of sealant is applied over all curb seams and spread flat. The seams must be covered.

Curb connection notches must be cut to fit select shower bases with perimeter thickness higher than 1 1/2".

Product Range – wedi Seats and Benches

wedi prefabricated shower seats and benches install much quicker and easier than metal tray or concrete seats. Plus, they bond well to thinset mortar and are 100 % waterproof due to the CFC-free extruded polystyrene closed cell foam core and will not cause efflorescence or discolorations or waterproofing issues as frequently observed with products including those requiring mortar fills. Create the perfect waterproof seating solution for your shower. wedi Prefabricated Suspended Corner Seats do not require additional blocking installed in the framing. Their mounting brackets are fastened into existing wall studs. Our suspended seats with mounting brackets can resist a weight load of up to 350 lbs. when weight load is centered on product. Our Rectangular bench and Full Foam Triangle Seat resist up to 500 lbs weight load when weight load is centered on product.

wedi Suspended Corner Shower Seats	Dimensions sides, thickness	Item #
wedi Suspended Corner Seat M	17" x 17" x 24 1/6" 4" thickness	US3000001
wedi Suspended Corner Seat L	24" x 24" x 33 15/16" 4" thickness	US3000002

*Each Seat assembly contains the seat element, 4 fasteners, tube of wedi Joint sealant, 2 mounting brackets and wedi Meshtape



wedi Wall/Floor Mounted Seats and Benches	Dimensions	Item #
wedi Full Foam Triangle Seat	23" x 23" x 20"	073784101



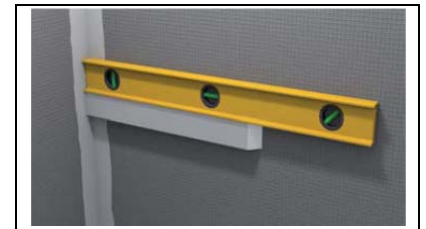
Installation Instructions – wedi Suspended Corner Seats



Apply wedi Joint Sealant to the side of the mounting bracket that will be attached to the wedi Building Panel wall.



Evenly distribute wedi Joint Sealant with a putty knife until the whole contact area is covered.



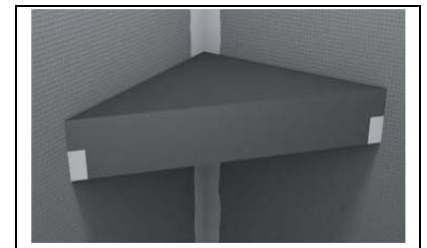
Using a level, make sure you can achieve a slight pitch (1/8" over 1 ft.).



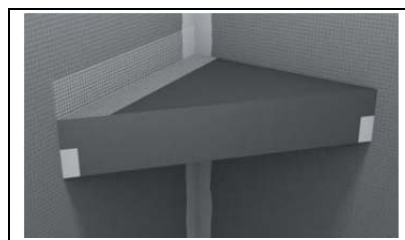
Mount the brackets through the wedi Building Panel wall into the solid 2' x 4' wooden framework.



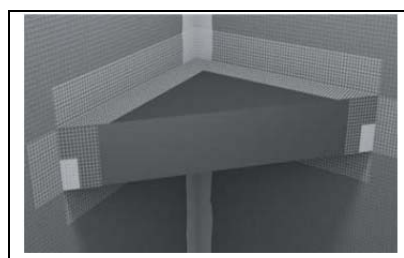
Using a putty knife, apply wedi Joint Sealant to the blue foam edges of the seat that will contact the wedi Building Panel wall and brackets.



Press the seat element into position and apply a weight (i.e., tile box) so the sealant can set under bond pressure.



Apply wedi Meshtape to the transition joint between the seat element and the wedi Building Panel wall. Apply a flat thinset mortar bed over the Meshtape and fully embed it.



Apply Step 7 now to the underside of the seat element. Apply wedi Meshtape and thinset mortar to the vertical seams as well.

Product Range – wedi Seats and Benches continued

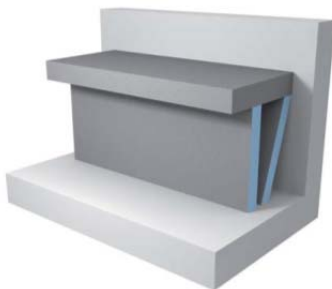
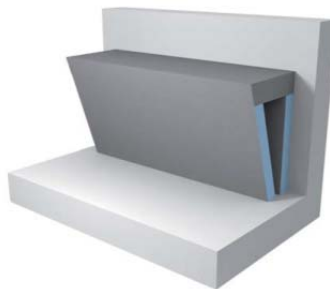
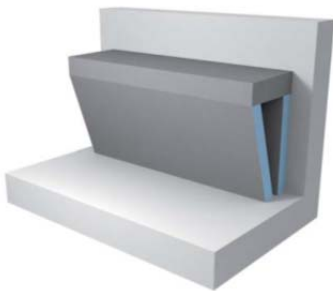
wedi Sanoasa Benches bring functional style and design to any shower project. These benches maximize the space in the shower area, while allowing for a comfortable seating area. The design is versatile and easy to incorporate in any design. There are three design options available in two sizes each.

wedi Sanoasa Benches	Dimensions (L X H X D)	Item #
wedi Sanoasa Bench 1 M	≈35" x 18" x 15"	076447030
wedi Sanoasa Bench 1 L	≈47" x 18" x 15"	076447031
wedi Sanoasa Bench 2 M	≈35" x 18" x 15"	076447032
wedi Sanoasa Bench 2 L	≈47" x 18" x 15"	076447033
wedi Sanoasa Bench 3 M	≈35" x 18" x 15"	076447034
wedi Sanoasa Bench 3 L	≈47" x 18" x 15"	076447035

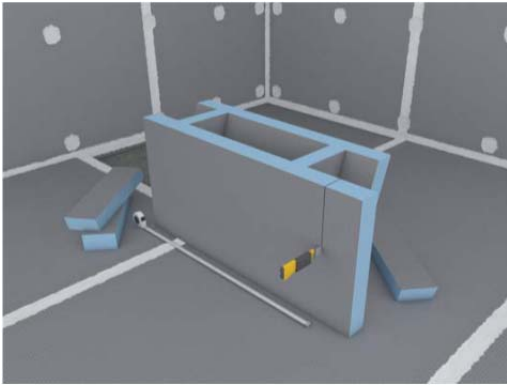


*The bench is delivered in four parts: Bench element, substructure element and 2 side elements. wedi Joint Sealant is included for adhesion. wedi Fiberglass Mesh Tape is included for the wall/floor connection.

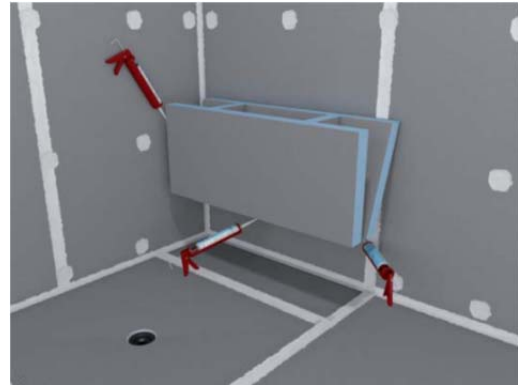
wedi Sanoasa Benches design can be configured in several style variations:



Installation Instructions – wedi Sanoasa Benches 1-3

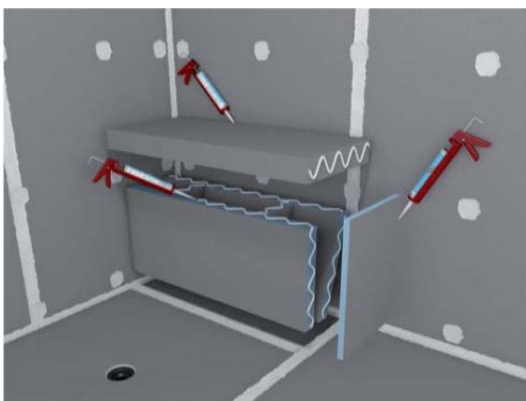


Cut the bench carriers and tops to size to dry fit into the shower area. Please consider that one or both sides will be closed off later by adding a wedi ¼" building panel adding to the length of the bench. Cut the elements using a utility knife with extended blade, handsaw or circular saw.

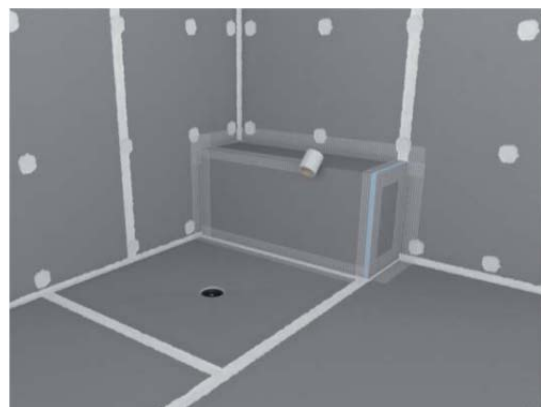


wedi Joint Sealant has to be applied on all bench carrier surfaces with contact to the walls or floor. Apply weight to the bench carrier when placing it into position so that the wedi Joint Sealant may form a tight adhesion and seal while kept under pressure for a minimum of 30 minutes. The joint sealant should be applied in continuous beads and ½" thick. All excess sealant should be wiped flat right away using a putty knife.

Where a wedi bench carrier front comes into contact with a shower floor area showing converging slopes creating large openings between carrier and floor please use thinset mortar instead of joint sealant to back fill and adhere to the floor.



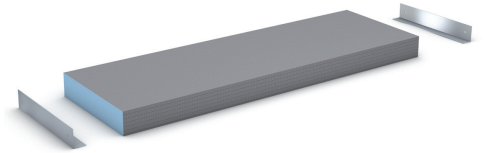
Adhere and seal the bench top to the carrier and all wall contact surfaces using wedi joint sealant as described under 2. Cut the ½" wedi Building Panel(s) to fit size and shape of the open bench side. Adhere this panel to the bench using wedi Joint Sealant.



Apply more wedi joint sealant over all seams and transitional areas and embed wedi mesh tape . Wipe sealant flat so it covers the mesh tape properly leaving no uneven areas. Tiling may commence once wedi joint sealant has superficially cured in about 30 minutes after final application.

Product Range – wedi Seats and Benches continued

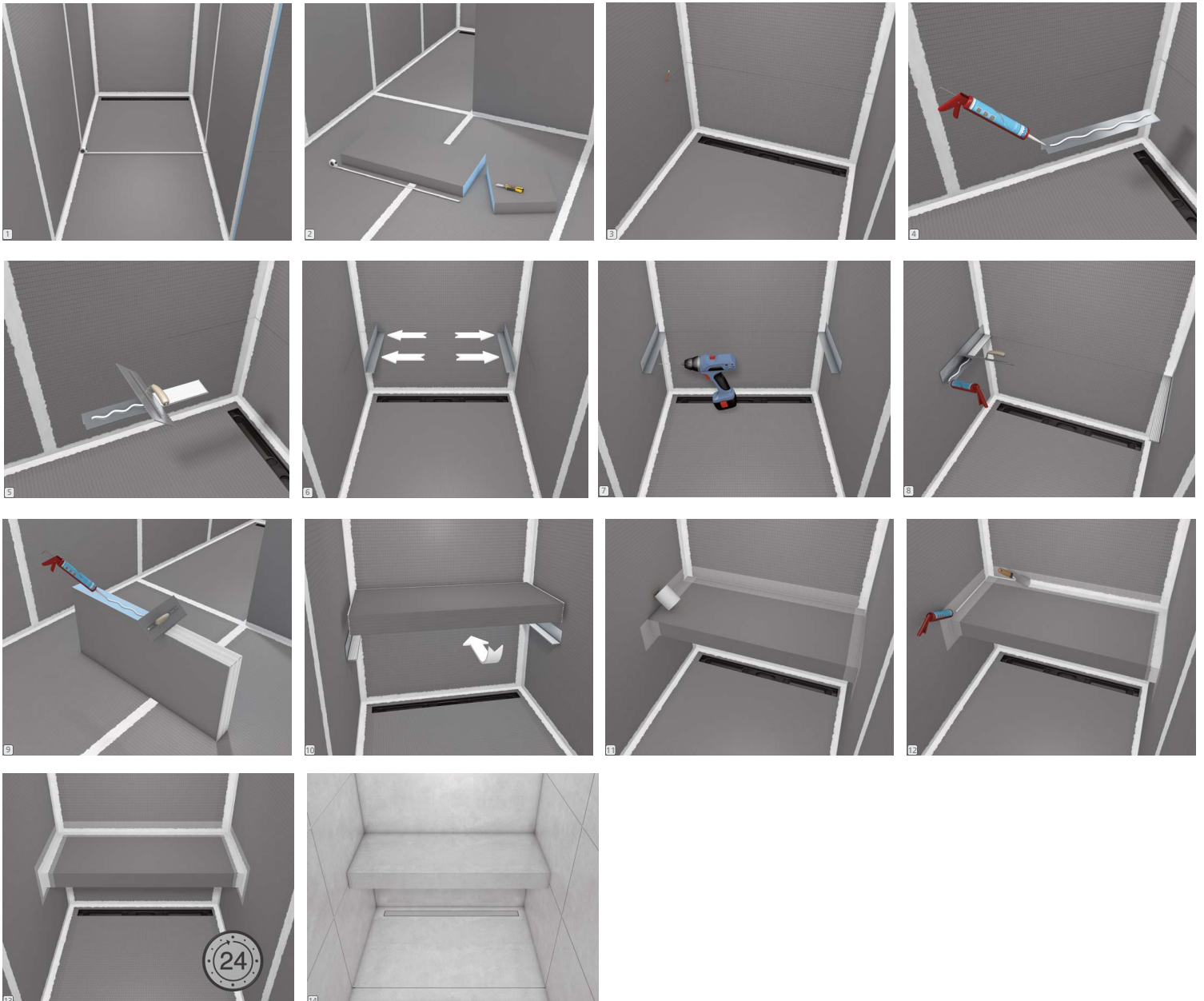
wedi Sanoasa Benches	Dimensions (L X H X D)	Item #
wedi Sanoasa Bench 4	47 1/4" x 15" x 3 1/8"	US3000000



The wedi Sanoasa Shower Bench 4 includes: wedi straight suspended shower bench, high quality aluminum brackets, screws, mesh tape, and joint sealant for installation.

- fully suspended bench
- solid foam, ready to install and tile
- pre-pitched for adequate drainage
- holds up to 500 lbs.
- fully customizable
- innovative design

Installation Instructions - Sanoasa Bench 4



Sustainability & Environmental Considerations

- wedi's product is rated by the International Panel on Climate Change (IPCC) with a Global Warming Potential of 1 (no negative impact considering its entire lifetime including its production process, its use in application and its ultimate disposal). wedi's extrusion agent is CO₂. No CFC as commonly used with foam extrusion is utilized.
- No HBCD used as flame retardant as common with many other foam based products.
- wedi refrains from using global warming halogenides, negatively impacting global warming and commonly found in foam products, in its wedi foam product.
- wedi's highly automated manufacturing facilities source electric power exclusively from energy sources producing renewable energy such as from water, wind, solar.
- All foam material waste occurring during the manufacturing processes is recycled and used to manufacture lightweight cement floor filler products.
- wedi polystyrene foam ingredients consist of recycled material at a rate of 25%.
- wedi's waterproof product systems protect wet room tile & stone installations against deterioration and mold due to water exposure damages and increase the average lifetime of wetroom installations such as showers, this conserving energy and material. The maintenance, cleanliness and added value to surfaces, air quality as well as general health of users is provided by the natural mold protection offered by wedi product.

wedi product offers insulation properties and will help conserving energy when product is used on walls as well as on cold floor substrates and/ or with floor warming systems.

Warranty Information

Please refer to wedi's 10/ 1 & 20 PRO year limited warranty on www.wedicorp.com. Please note that wedi Building Panels are often installed in shower and steam shower installations subject to the International Plumbing Code which requires a waterproof transition from waterproof shower base into the wall. It also requires all shower walls to be waterproofed (this cannot be achieved by installing tile, as its assembly will include grout joints and remain open to water migration. Cement boards are also not used to waterproof shower walls as they are water resistant and need to be waterproofed). The waterproofing of the walls can be done by simply installing wedi's waterproof Building Panel (as the tile backer board and waterproofing) and, for example, wedi's waterproof curbs. The assembly and transitional seams have to be sealed with wedi joint sealant, a wedi engineered MS Polymer sealant and adhesive. Please note: There is no suitable alternative to wedi's joint sealant.

MasterFormat™ 2004 Sections

Section 09305 Tile Setting Materials and Accessories

Section 10185 Shower Compartments

Section 09300 Tile

Section 07100: Damp-proofing & Waterproofing

Section 09252: Cementitious Backer Boards

Storage

Store flat, cool and not exposed to weather. Store in original, protective packaging.

Health & Safety information

Work appropriate work wear, gloves and safety glasses. Product contains cement. Please consult the wedi Material Safety Data Sheet (SDS) "wedi Building Panel" on www.wedicorp.com.

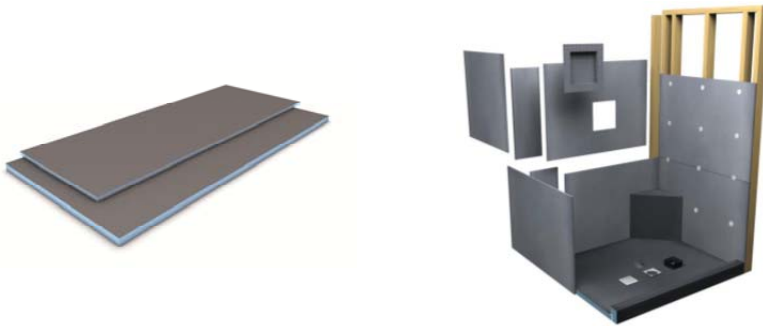
Information about finishing and application options for wedi products, technical recommendations or advice and other information provided by our employees (technical usage advice) is accurate to the best of our knowledge, but is non-binding and is given with the exclusion of any liability. It does not exempt our customers and their buyers from carrying out their own checks and trials on the suitability of the products for the intended processes and purposes.

wedi Installation Accessories: Sealants & Tools



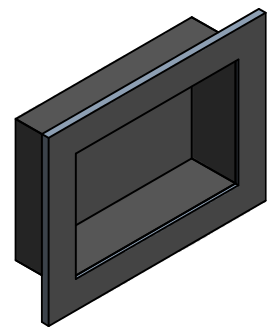
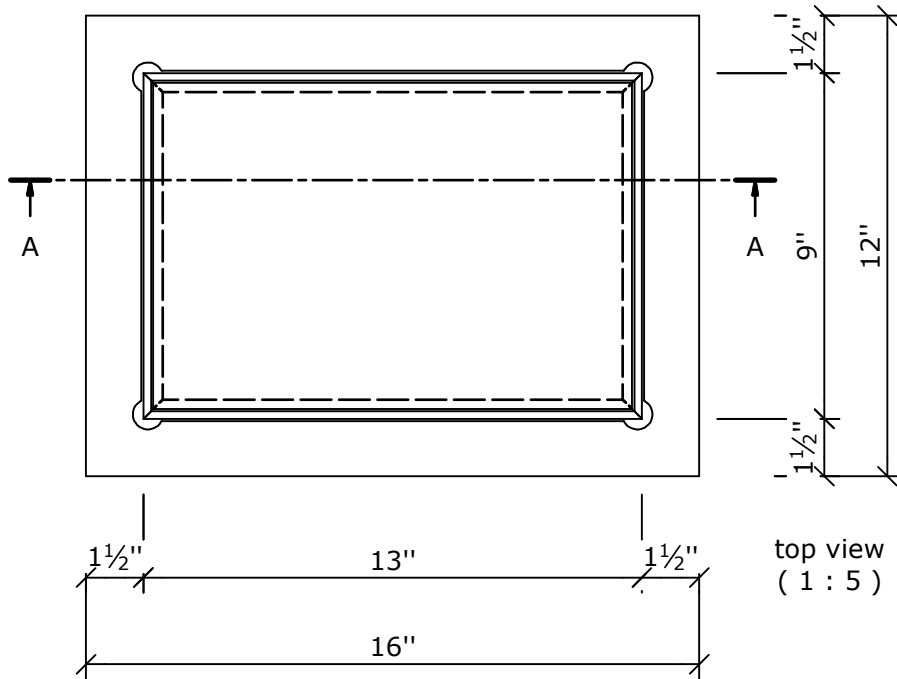
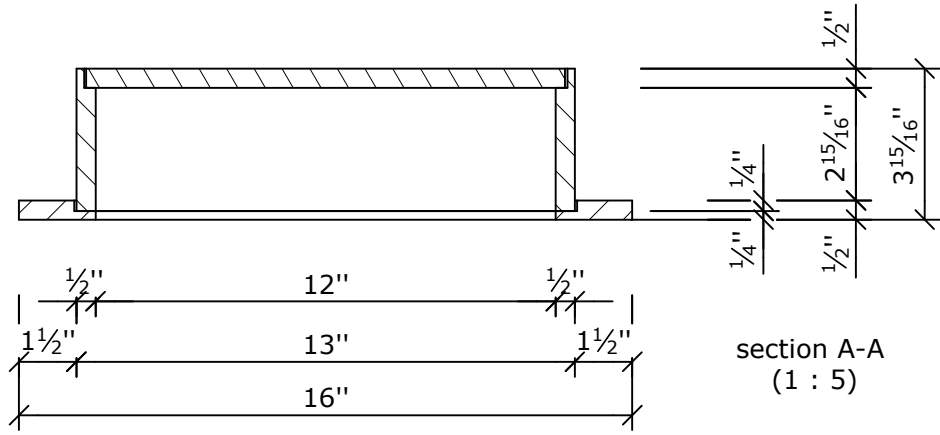
Complementary Products to use with wedi Accessories

wedi Building Panel and wedi Fundo Shower Systems



Technical drawings of all products to follow:

This drawing and its copyrights are owned by wedi GmbH. The use of this drawing is subject to prior, written authorization by wedi GmbH.



Diese Zeichnung / Skizze ist Eigentum der wedi GmbH und unterliegt dem Urheberrecht. Die Verwendung bedarf in jedem Fall der vorherigen, schriftlichen Zustimmung der wedi GmbH.

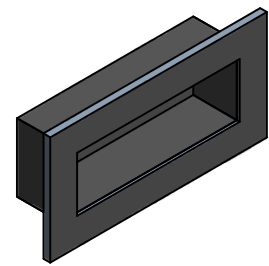
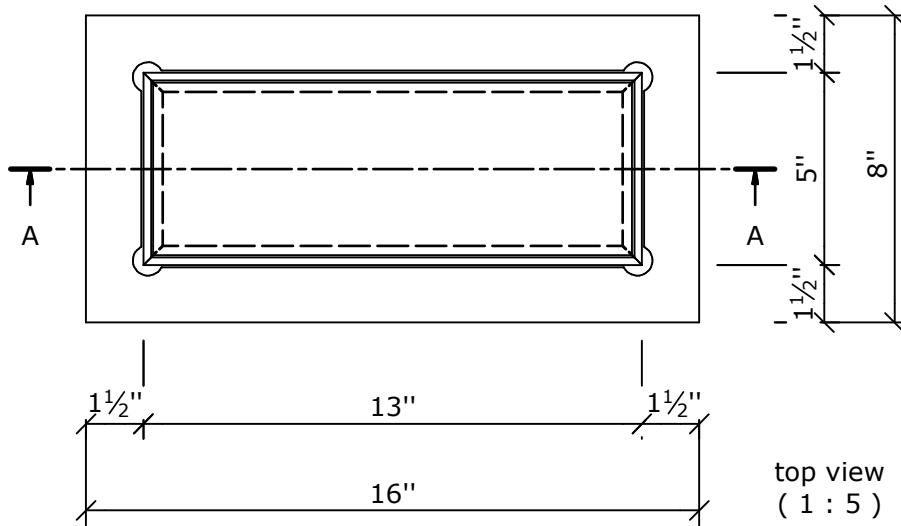
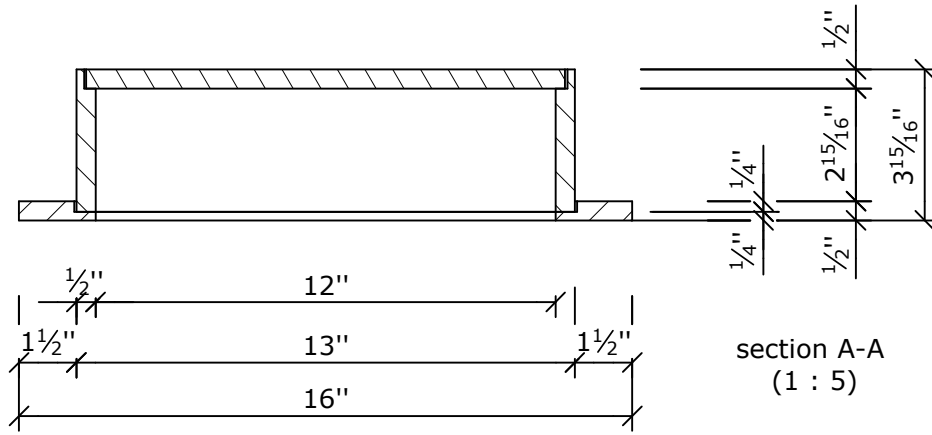
Zeichnungsnummer
drawing number **Z 00 00 58 78**
Kunde/ client :
BV/ BP :

Benennung/ designation
wedi Niche
dimension: 16"x12"x4" / Art.-Nr.: 07-43-15/304

A	Maße / CD	Datum date	Name name	Maße in Zoll dimensions in inch	DIN A4
		04.06.2013	ds		
Ausg. issue	Anderung modification	Datum date	Name name	Maße in Zoll dimensions in inch	DIN A4

<p>wedi GmbH Hollefeldstrasse 51 48282 Emsdetten</p> <p>wedi Vertrieb/ sales wedi Projektteilung/project dept.</p>	<p>... wedi®</p> <p>Fon +49 (0)2572 / 156 - 0 Fax +49 (0)2572 / 156 - 133 Fon +49 (0)2572 / 156 - 0 Fax +49 (0)2572 / 156 - 239</p>
<p>filename: 074315304_Niches_16x12.iam</p>	

This drawing and its copyrights are owned by wedi GmbH.
The use of this drawing is subject to prior,
written authorization by wedi GmbH.



Diese Zeichnung / Skizze ist Eigentum der wedi GmbH und unterliegt dem Urheberrecht. Die Verwendung bedarf in jedem Fall der vorherigen, schriftlichen Zustimmung der wedi GmbH.

Zeichnungsnummer drawing number Z 00 00 59 37				Benennung/ designation wedi Niche	
Kunde/ client : BV/ BP :				dimension: 16"x8"x4" / Art.-Nr.: 07-43-15/305	
				Datum date 08.04.2013	Name name az
				Datum date 09.04.2013	Name name az
				Fertigungszustand/ Bautoleranzen: finished condition/ tolerances: nach DIN 18202	
				Maße in Zoll dimensions in inch	
				DIN A4	
Ausg. issue	Änderung modification	Datum date	Name name	filename: 074315305_Niches_16x8.iam	

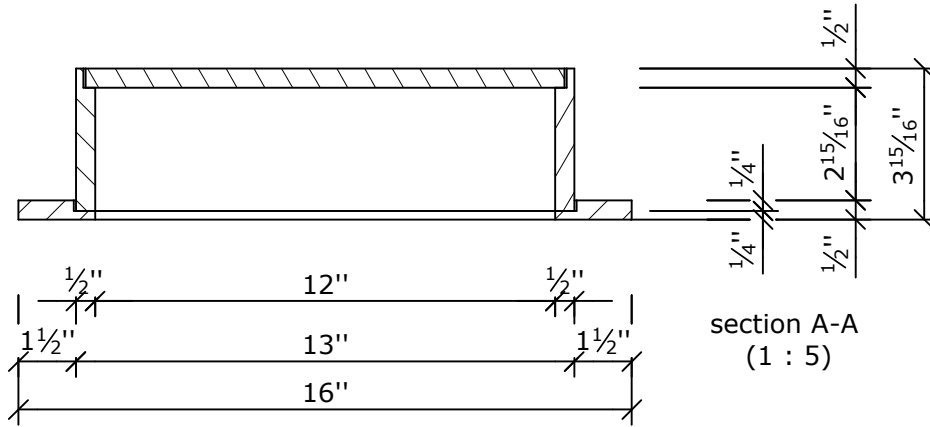
wedi GmbH
Hollefeldstrasse 51
48282 Emsdetten

wedi Vertrieb/ sales
wedi Projektteilung/project dept.

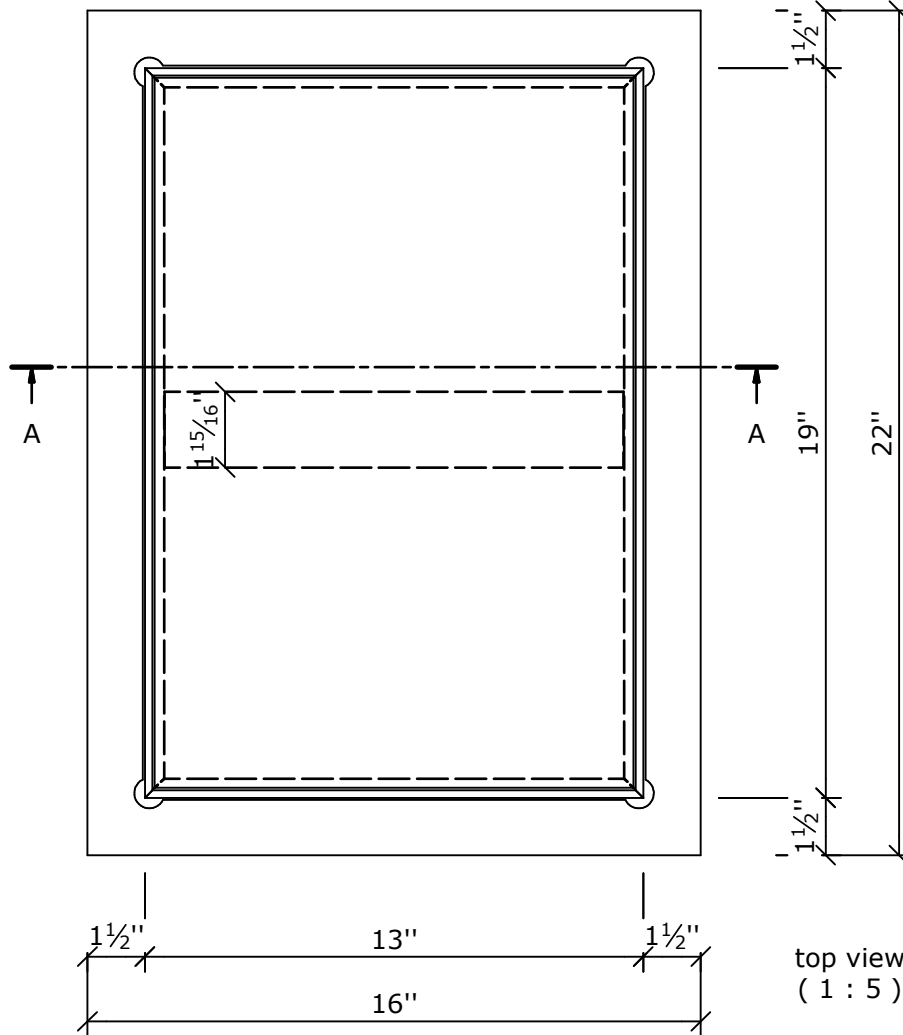
Fon +49 (0)2572 / 156 - 0
Fax +49 (0)2572 / 156 - 133
Fon +49 (0)2572 / 156 - 0
Fax +49 (0)2572 / 156 - 239



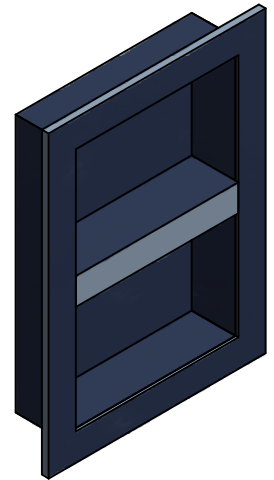
This drawing and its copyrights are owned by wedi GmbH.
The use of this drawing is subject to prior,
written authorization by wedi GmbH.



section A-A
(1 : 5)



top view
(1 : 5)



Diese Zeichnung / Skizze ist Eigentum der wedi GmbH und unterliegt dem Urheberrecht. Die Verwendung bedarf in jedem Fall der vorherigen, schriftlichen Zustimmung der wedi GmbH.

Zeichnungsnummer
drawing number **Z 00 00 48 86**
Kunde/ client :
BV/ BP :

Benennung/ designation

wedi Niche

dimension: 16"x22"x4" / Art.-Nr.: 07-43-15/403

Ausg. issue	Änderung modification	Datum date	Name name	Maße in mm dim. in millimeters	DIN A4
B	Bez. im Schriftf.	03.06.13	ds	Fertigungszustand/ Bautoleranzen: finished condition/ tolerances: nach DIN 18202	
A	unit of measure	13.06.12	nd		

wedi GmbH
Hollefeldstrasse 51
48282 Emsdetten



wedi Vertrieb/ sales

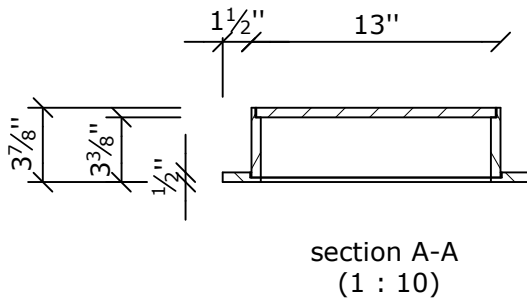
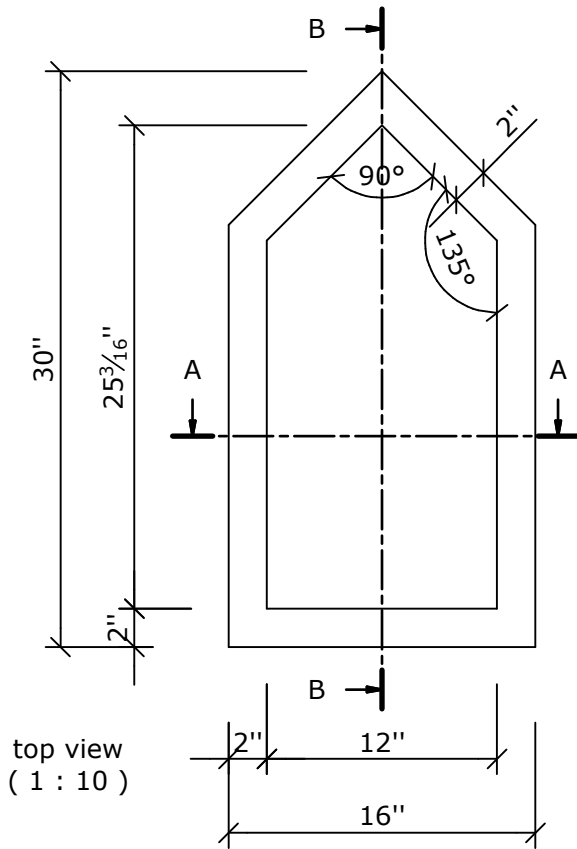
Fon +49 (0)2572 / 156 - 0
Fax +49 (0)2572 / 156 - 133

wedi Projektteilung/project dept.

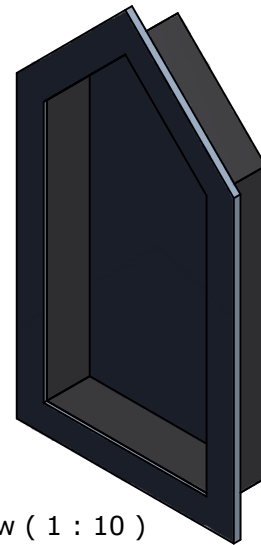
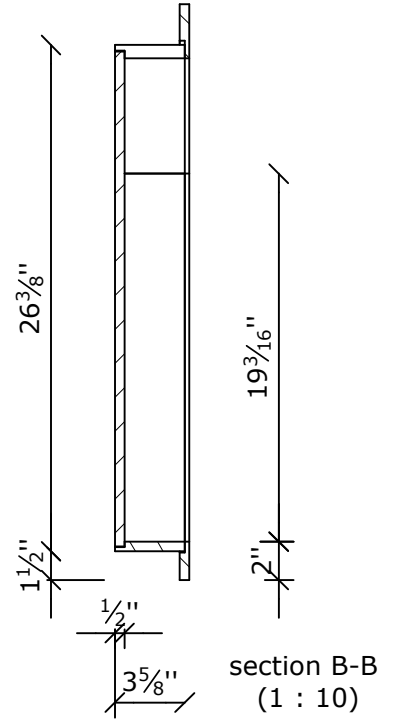
Fon +49 (0)2572 / 156 - 0
Fax +49 (0)2572 / 156 - 239

filename: 074315403_Niches_16x22.iam

This drawing and its copyrights are owned by wedi GmbH.
The use of this drawing is subject to prior,
written authorization by wedi GmbH.



for approval



Production release:

date, signature

Zeichnungsnummer
drawing number **Z 00 00 64 29**

Kunde/ client : wedi Corp
BV/ BP : - - -

Benennung/ designation

Peak Niche
dimensions: 16" x 30" x 3-7/8"

Ausg. issue	Änderung modification	Datum date	Name name	Maße in Zoll dimensions in inch	DIN A4
				3D drawn	Datum date
				2D drawn	13.05.2015
				CAD/CAM Progr.	ds
				Fertigungszustand/ Bautoleranzen: finished condition/ tolerances: nach DIN 18202	

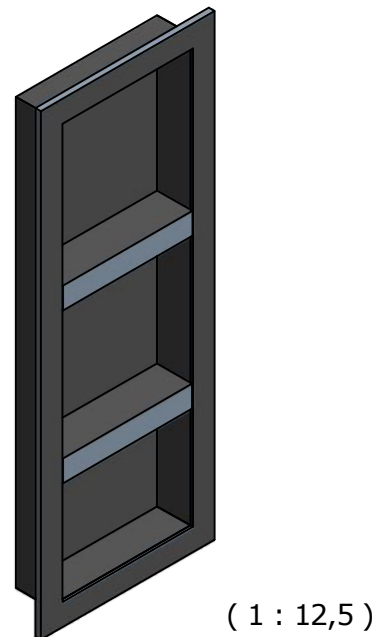
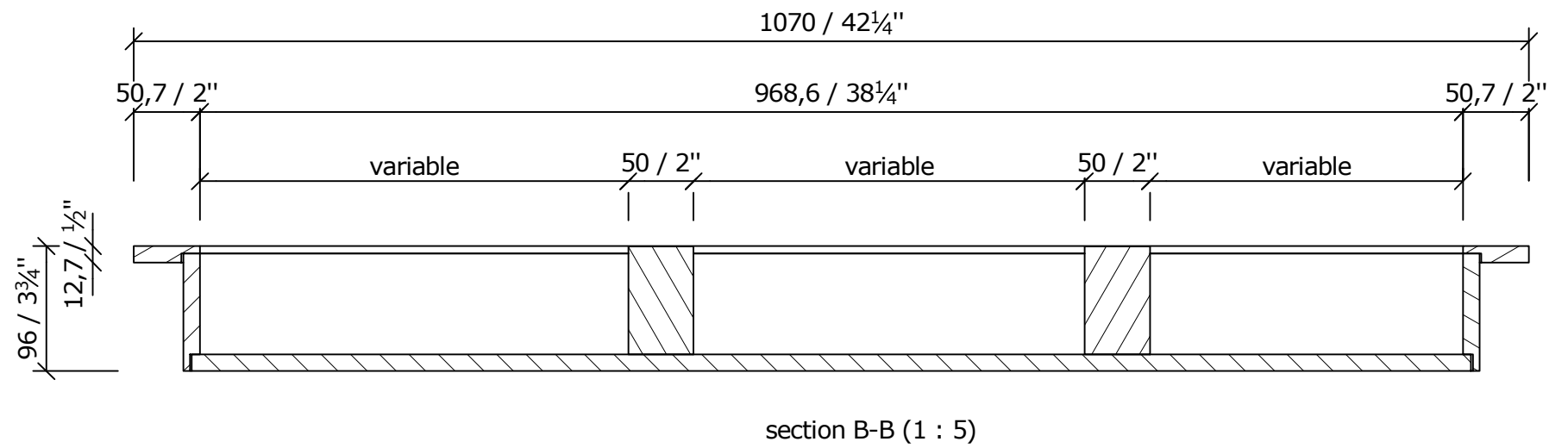
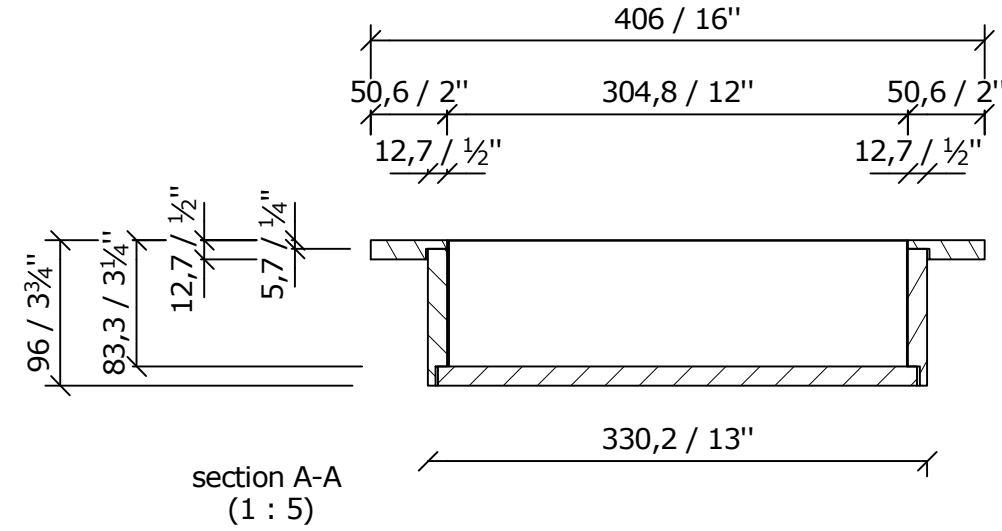
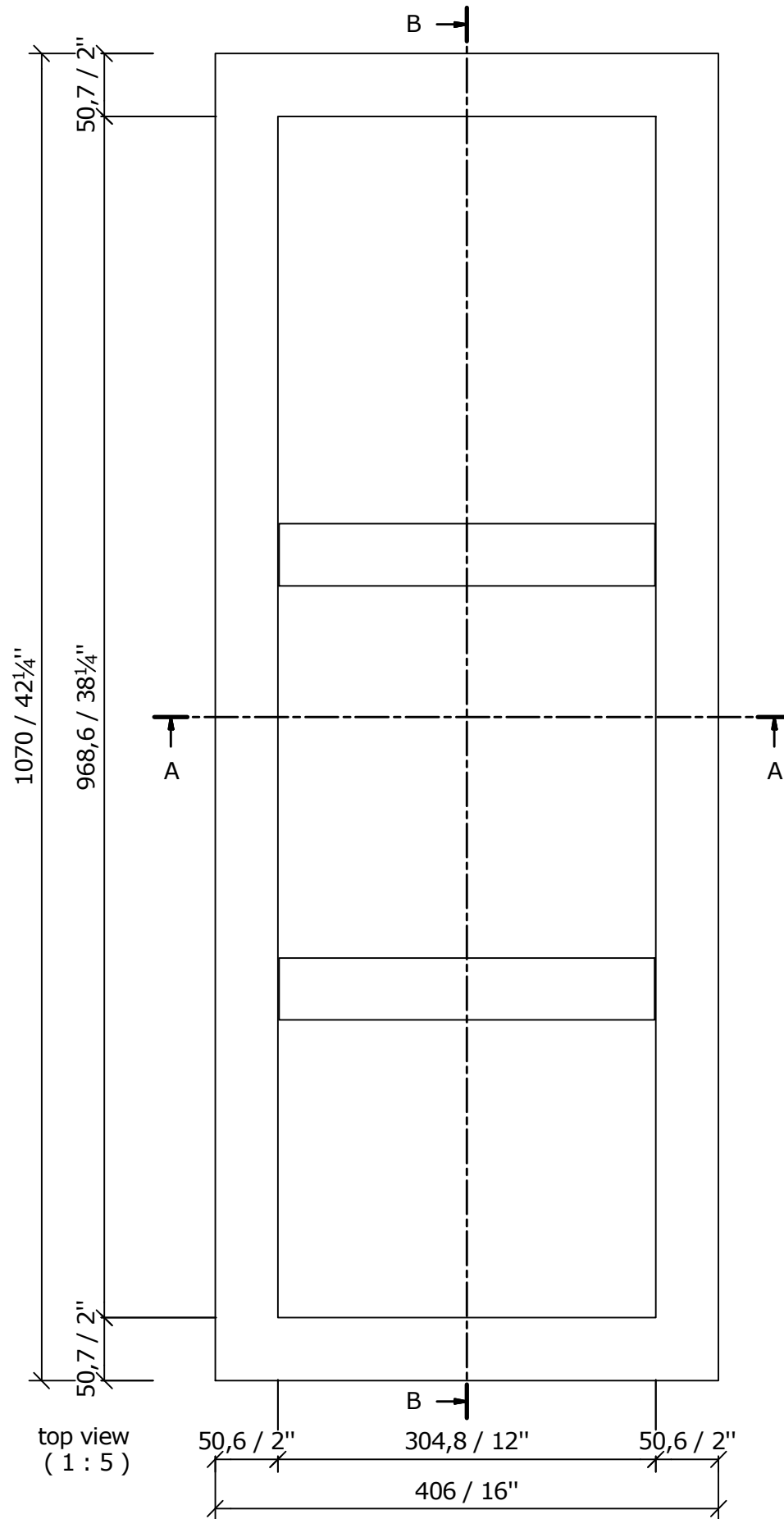
wedi GmbH
Hollefeldstrasse 51
48282 Emsdetten

... wedi®

wedi Vertrieb/ sales
Fon +49 (0)2572 / 156 - 0
Fax +49 (0)2572 / 156 - 133
wedi Projektteilung/project dept. Fon +49 (0)2572 / 156 - 0
Fax +49 (0)2572 / 156 - 239

filename: Z00006429_Niche_Cathedral_16x30.iam

Diese Zeichnung / Skizze ist Eigentum der wedi GmbH und unterliegt dem Urheberrecht. Die Verwendung bedarf in jedem Fall der vorherigen, schriftlichen Zustimmung der wedi GmbH.

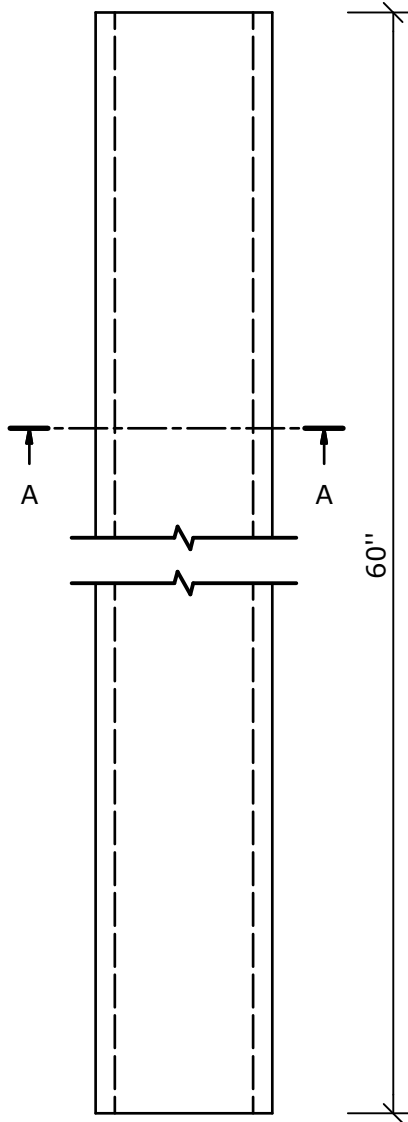


confirmation of drawing:

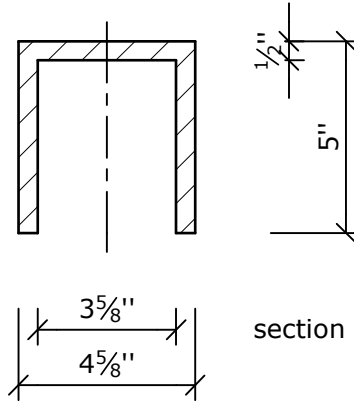
 date, signature

Zeichnungsnummer drawing number				Z 00 00 71 09		Benennung/ designation	
Kunde/ client :				BV/ BP :		wedi USA Niche	
						Art.Nr.: 07-43-15/405	
						wedi GmbH Hollefeldstrasse 51 48282 Emsdetten Fon +49 2572 156 0	
						Kundendienst Handel & Industrie sales@wedi.de Customer Service Trade & Industry Fax +49 2572 156 133	
						Kundendienst Spa & Wellness project@wedi.de Customer Service Spa & Wellness Fax +49 2572 156 239	
Ausg. issue				Anderung modification		Datum date	
Name name				Maße in Zoll dimensions in inch		DIN A3	
Fertigungszustand/ Bautoleranzen: finished condition/ tolerances: nach DIN 18202				Date		Name	
3D drawn				23.11.2017		ds	
2D drawn				23.11.2017		ds	
CAD/CAM Progr.							
filename: 074315405_Zusammenbau.iam							

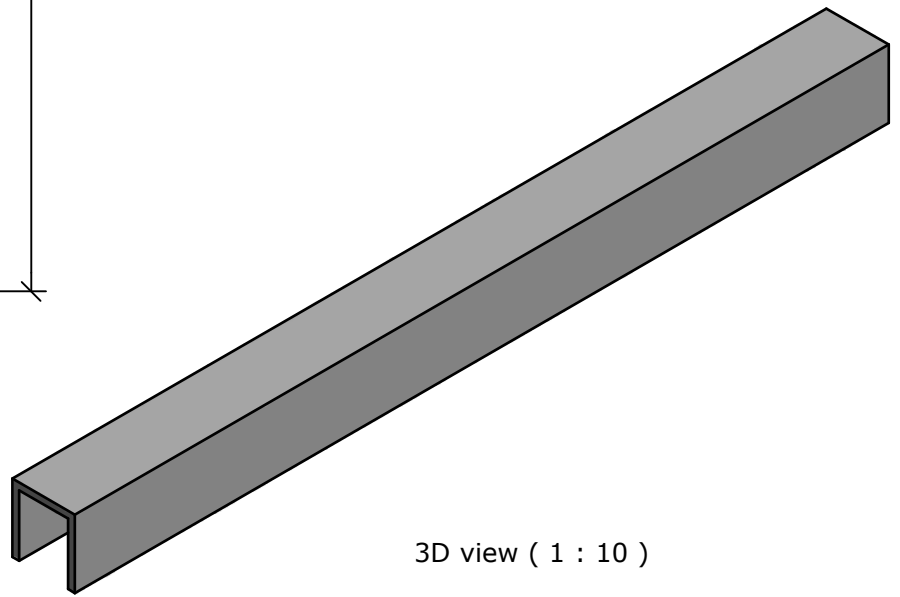
This drawing and its copyrights are owned by wedi GmbH.
The use of this drawing is subject to prior,
written authorization by wedi GmbH.



top view (1 : 5)




section A-A (1 : 5)



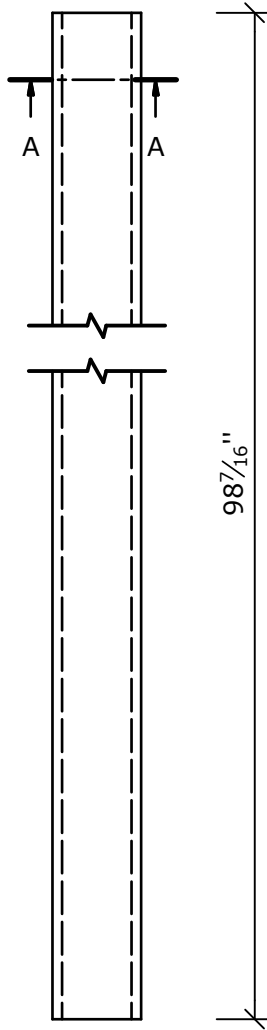
3D view (1 : 10)

Diese Zeichnung / Skizze ist Eigentum der wedi GmbH und unterliegt dem Urheberrecht. Die Verwendung bedarf in jedem Fall der vorherigen, schriftlichen Zustimmung der wedi GmbH.

Zeichnungsnummer drawing number Z 00 00 00 47 Kunde/ client : wedi corporation BV/ BP : --- Art.-Nr.: 07-43-10/000				
				Datum Date 13.11.2013 Name Name ds
				3D Drawn 2D Drawn 08.01.2003 Gepr. Checked witt
C	Anpassung Bem.	28.07.2014	L.S.	Fertigungszustand/ Bautoleranzen: finished condition/ tolerances: nach DIN 18202
B	Z-Nummer angep.	14.11.2013	ds	
A	Standardisierung	13.11.2013	ds	
Ausg. Issue	Aenderung Modifikation	Datum Date	Name Name	Masse in Fuss/Zoll dimensions in feet/inches

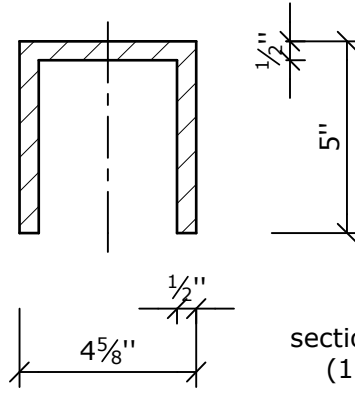
Benennung/ Designation wedi USA curb over external dimension: 4 5/8" x 5"	
wedi GmbH Hollefeldstrasse 42 48282 Emsdetten	
	
wedi Vertrieb/ sales	Fon +49 (0)2572 / 156 - 0 Fax +49 (0)2572 / 156 - 133
wedi Projektteilung/projekt dept.	Fon +49 (0)2572 / 156 - 0 Fax +49 (0)2572 / 156 - 239
filename: 074310000_curb_over_USA_b.ipt	Inventor 2009

This drawing and its copyrights are owned by wedi GmbH.
The use of this drawing is subject to prior,
written authorization by wedi GmbH.

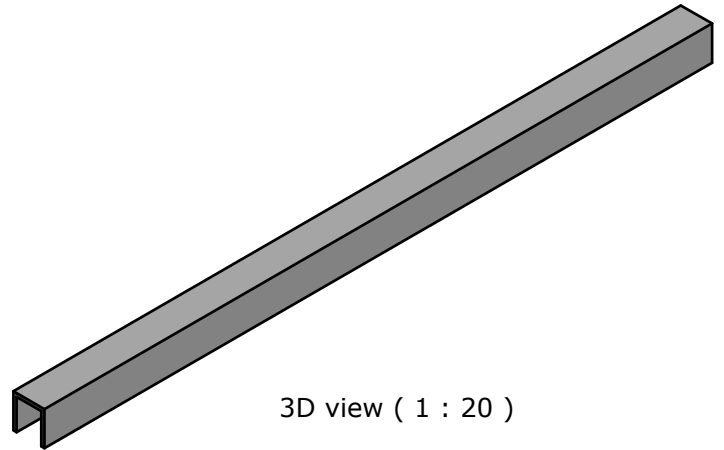


top view
(1 : 10)

98⁷/₁₆"



section A-A
(1 : 5)



3D view (1 : 20)

Diese Zeichnung / Skizze ist Eigentum der wedi GmbH und unterliegt dem Urheberrecht. Die Verwendung bedarf in jedem Fall der vorherigen, schriftlichen Zustimmung der wedi GmbH.

Zeichnungsnummer
drawing number

Z 00 00 00 68

Kunde/ client : wedi corporation

BV/ BP :

Art.-Nr.: 07-43-11/000

Benennung/ Designation

wedi USA curb over

external dimension: 4 5/8" x 5"

				Datum Date	Name Name
				02.12.2009	vo
				02.12.2009	vo
B	Anpassung Bem.	28.07.2014	L.S.	Fertigungszustand/ Bautoleranzen: finished condition/ tolerances: nach DIN 18202	
A	Standardisierung	08.06.2012	ds		
Ausg. Issue	Aenderung Modifikation	Datum Date	Name Name	Masse in Fuss/Zoll dimensions in feet/inches	

wedi GmbH
Hollefeldstrasse 42
48282 Emsdetten

... wedi®

wedi Vertrieb/ sales

Fon +49 (0)2572 / 156 - 0
Fax +49 (0)2572 / 156 - 133

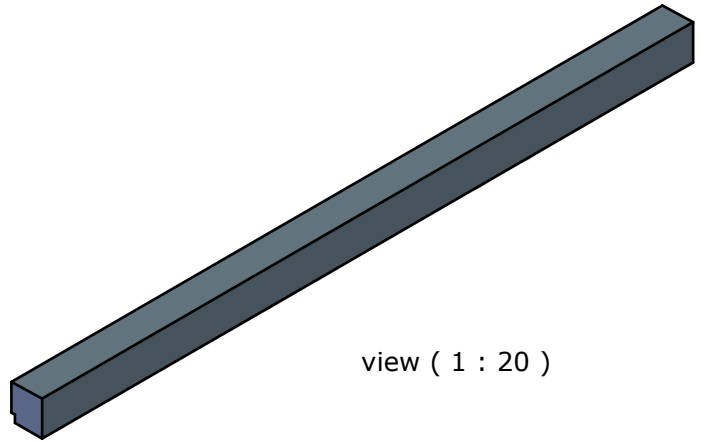
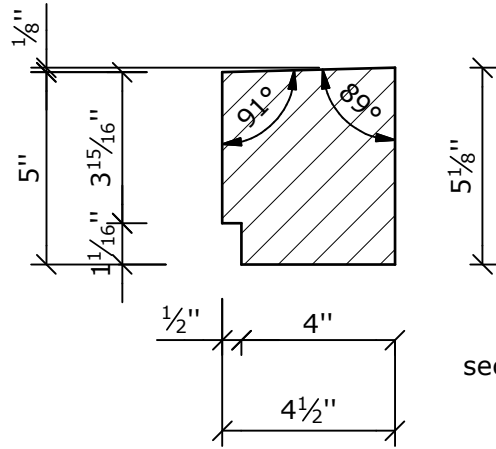
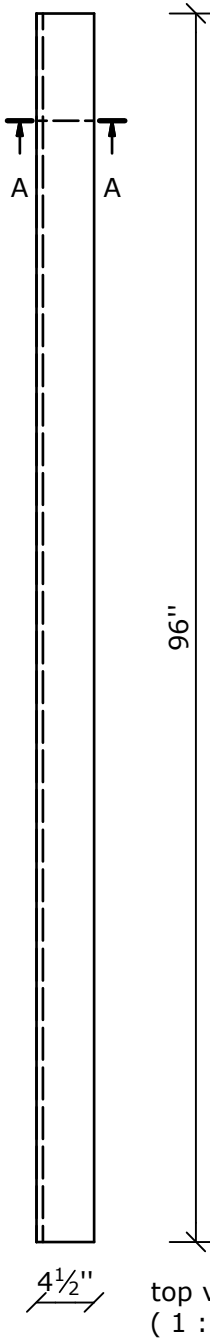
wedi Projektteilung/projekt dept.

Fon +49 (0)2572 / 156 - 0
Fax +49 (0)2572 / 156 - 239

filename: 074311000_curb_over_USA.ipt

Inventor 2009

This drawing and its copyrights are owned by wedi GmbH.
The use of this drawing is subject to prior,
written authorization by wedi GmbH.



Diese Zeichnung / Skizze ist Eigentum der wedi GmbH und unterliegt dem Urheberrecht. Die Verwendung bedarf in jedem Fall der vorherigen, schriftlichen Zustimmung der wedi GmbH.

Zeichnungsnummer
drawing number


Z 00 00 19 25

Kunde/ client : wedi corporation
BV/ BP : ---

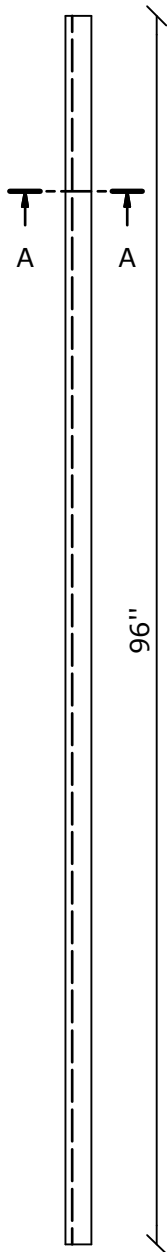
Benennung/ Designation

wedi shower curb
dimensions: 4 1/2" x 5 1/8" x 8'
Art.-Nr.: 07-43-19/001

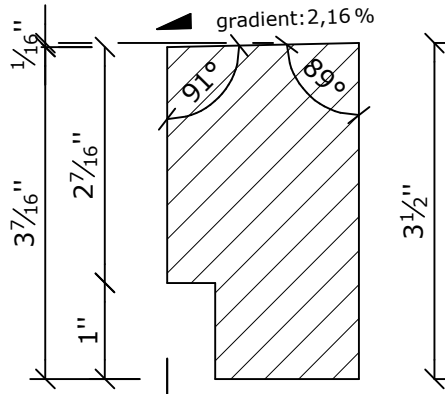
Ausg./ Issue	Aenderung/ Modification	Datum/ Date	Name/ Name	Masse in Fuss/Zoll/ dimensions in feet/inches

wedi GmbH Hollefeldstrasse 42 48282 Emsdetten	
wedi Vertrieb/ sales wedi Projektteilung/projekt dept.	
Datum/ Date: 10.06.2012 Name/ Name: ds Name/ Name: ds Gepr./ Checked:	
Fertigungszustand/ Bautoleranzen: finished condition/ tolerances: nach DIN 18202	
filename: 074319001_shower_curb_USA.ipt	Inventor 2009
Fon +49 (0)2572 / 156 - 0 Fax +49 (0)2572 / 156 - 133 Fon +49 (0)2572 / 156 - 0 Fax +49 (0)2572 / 156 - 239	

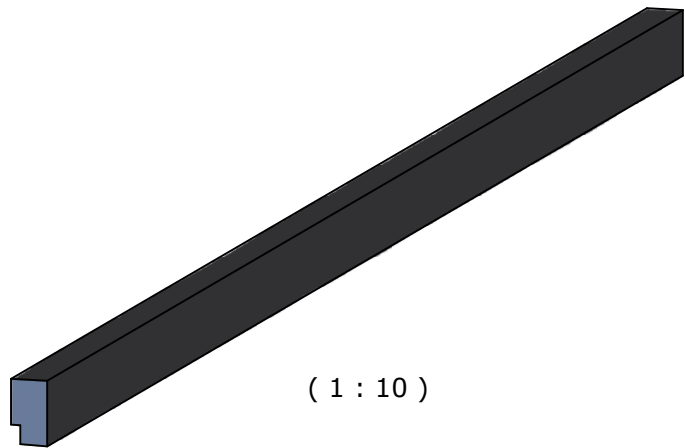
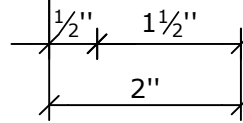
This drawing and its copyrights are owned by wedi GmbH.
 The use of this drawing is subject to prior,
 written authorization by wedi GmbH.



2" top view
 (1 : 15)



section A-A
 (1 : 2)



(1 : 10)

int. ref.-No.: 074319008_Lean_Curb
 number of pieces: piece (s)
 remark:

Diese Zeichnung / Skizze ist Eigentum der wedi GmbH und unterliegt dem Urheberrecht. Die Verwendung bedarf in jedem Fall der vorherigen, schriftlichen Zustimmung der wedi GmbH.

Zeichnungsnummer
 drawing number **Z 00 00 64 28**
 Kunde/ client : wedi Corporation
 BV/ BP : - - -

Benennung/ designation
wedi Lean Curb USA
 Art.-Nr.: 07-43-19/008

Ausg. issue	Änderung modification	Datum date	Name name	Maße in mm dim. in millimeters	DIN A4
				3D drawn	Datum date 08.05.2015 Name name ds
				2D drawn	08.05.2015 ds
				CAD/CAM Progr.	
				Fertigungszustand/ Bautoleranzen: finished condition/ tolerances: nach DIN 18202	

wedi GmbH
 Hollefeldstrasse 51
 48282 Emsdetten

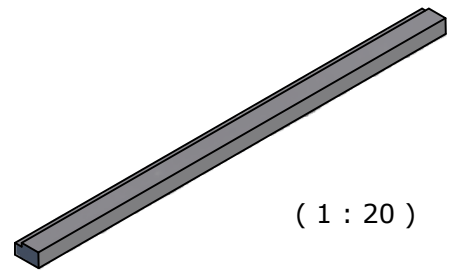
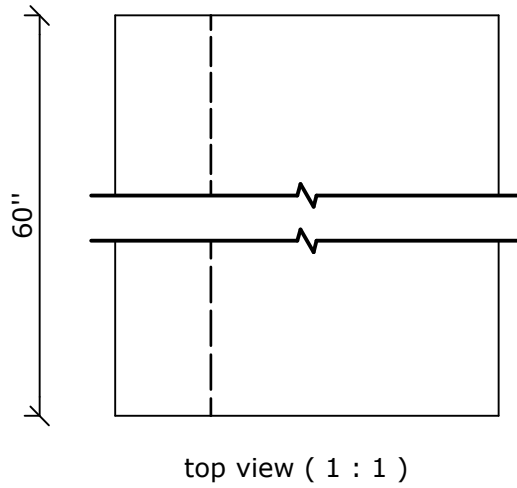
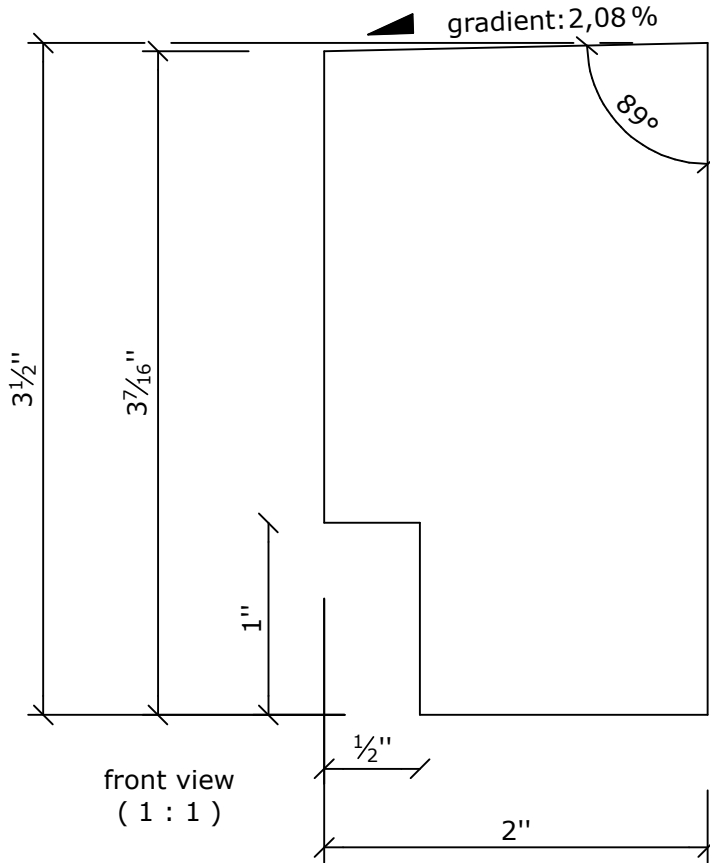
wedi Vertrieb/ sales
 wedi Projektteilung/project dept.

... wedi®

Fon +49 (0)2572 / 156 - 0
 Fax +49 (0)2572 / 156 - 133
 Fon +49 (0)2572 / 156 - 0
 Fax +49 (0)2572 / 156 - 239

filename: 074319008_Lean_Curb.ipt

This drawing and its copyrights are owned by wedi GmbH.
The use of this drawing is subject to prior,
written authorization by wedi GmbH.



Diese Zeichnung / Skizze ist Eigentum der wedi GmbH und unterliegt dem Urheberrecht. Die Verwendung bedarf in jedem Fall der vorherigen, schriftlichen Zustimmung der wedi GmbH.

Zeichnungsnummer
drawing number **Z 00 00 62 86**

Kunde/ client : **wedi Corporation**
BV/ BP : - - -

Benennung/ designation

wedi shower curb

full form - 60" / Art.: 07-43-19/007

Ausg. issue	Änderung modification	Datum date	Name name	Maße in Zoll dimensions in inch	DIN A4
				3D drawn	Datum date
				2D drawn	28.10.2014
				CAD/CAM Progr.	ds
				Fertigungszustand/ Bautoleranzen: finished condition/ tolerances: nach DIN 18202	

wedi GmbH
Hollefeldstrasse 51
48282 Emsdetten

... wedi®

wedi Vertrieb/ sales

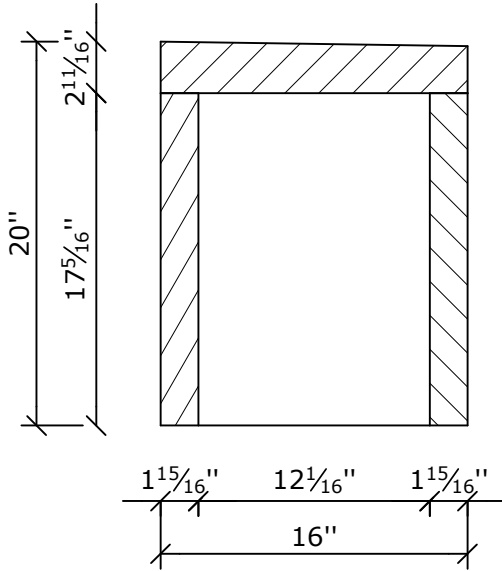
Fon +49 (0)2572 / 156 - 0
Fax +49 (0)2572 / 156 - 133

wedi Projektteilung/project dept.

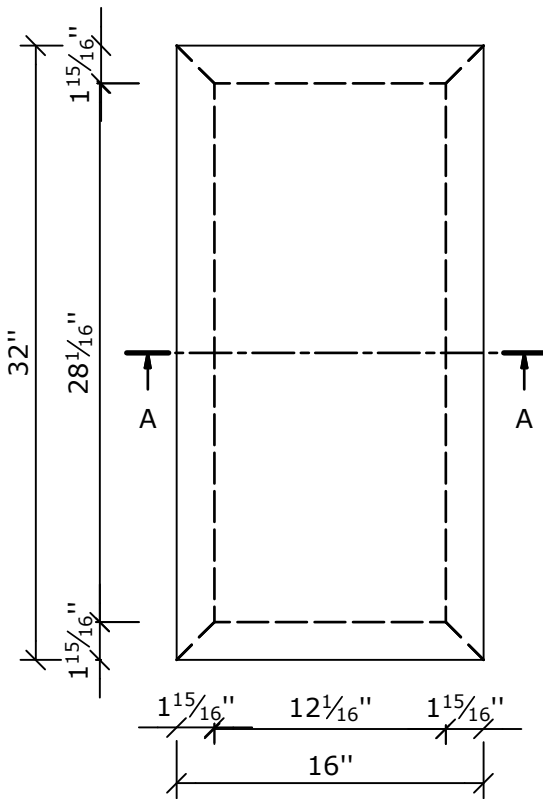
Fon +49 (0)2572 / 156 - 0
Fax +49 (0)2572 / 156 - 239

filename: 074319007_shower_curb_USA.ipt

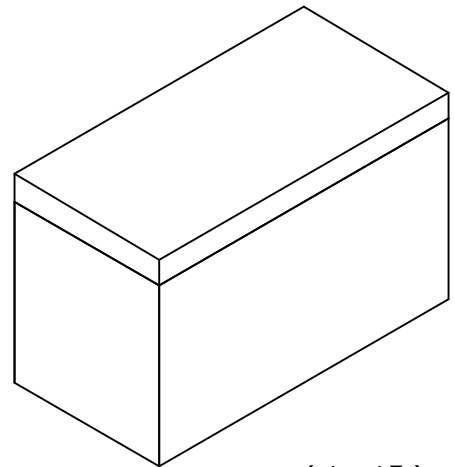
This drawing and its copyrights are owned by wedi GmbH.
The use of this drawing is subject to prior,
written authorization by wedi GmbH.



section A-A (1 : 10)



top view (1 : 10)



(1 : 15)

Diese Zeichnung / Skizze ist Eigentum der wedi GmbH und unterliegt dem Urheberrecht. Die Verwendung bedarf in jedem Fall der vorherigen, schriftlichen Zustimmung der wedi GmbH.

Zeichnungsnummer
drawing number

Z 00 00 22 84

Kunde/ client : wedi corporation

BV/ BP : ---

Benennung/ designation

wedi bench USA

dimensions: 1'4"x2'8"x1'8" Art.: 07-37-84/100

Ausg. issue	Änderung modification	Datum date	Name name	Maße in Zoll dimensions in inch	DIN A4
E	Standardisierung	18.07.2012	nd	3D drawn	03.12.2009 vo
D	3D	03.12.2009	vo	2D drawn	24.01.2006 vo
C	CD	27.03.2009	pm	CAD/CAM Progr.	
B	Zuschnitt	04.04.2008	vo	Fertigungszustand/ Bautoleranzen: finished condition/ tolerances: nach DIN 18202	
A	Gefälle	20.02.2008	vo		

wedi GmbH
Hollefeldstrasse 51
48282 Emsdetten

... wedi®

wedi Vertrieb/ sales

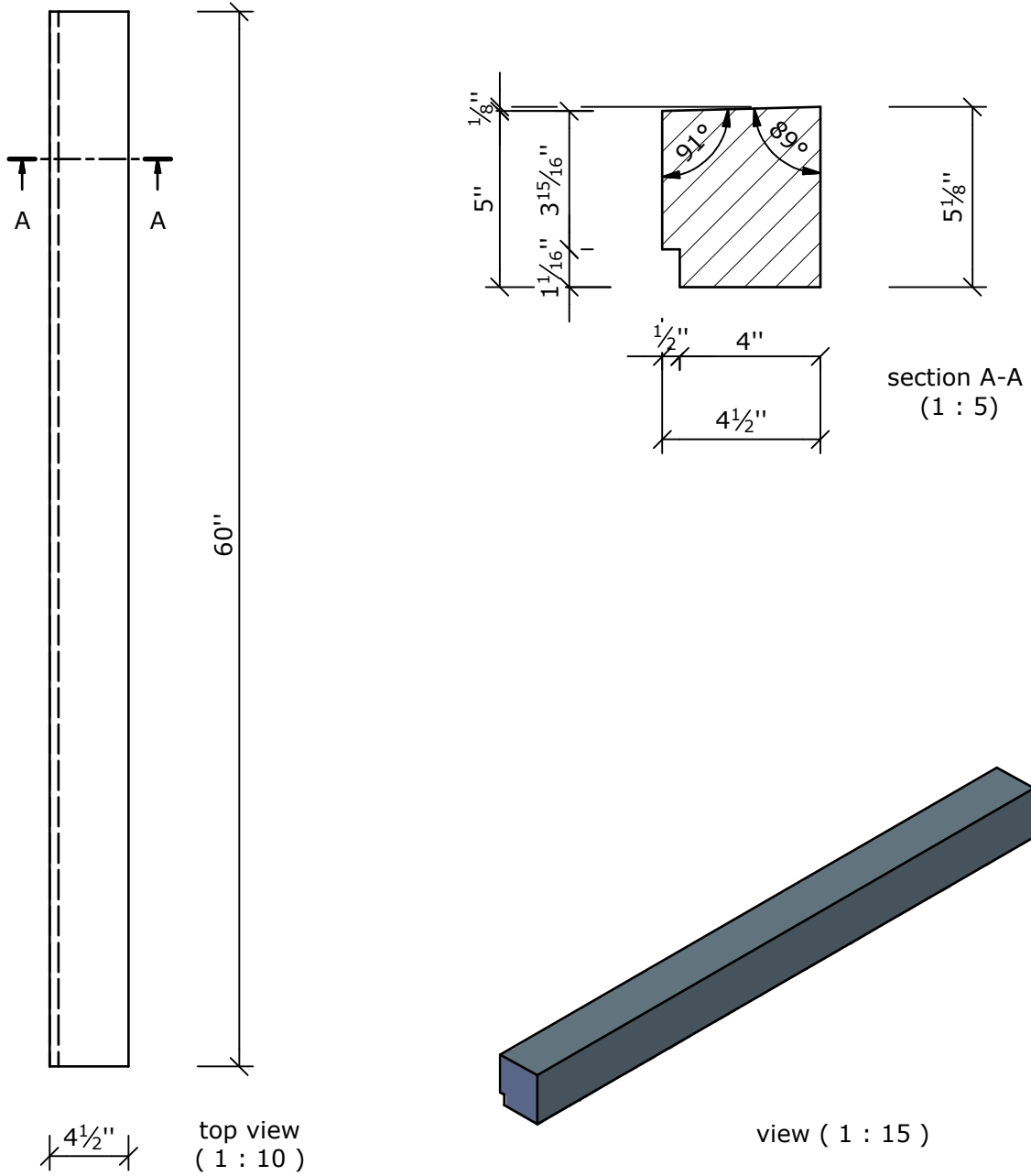
Fon +49 (0)2572 / 156 - 0
Fax +49 (0)2572 / 156 - 133

wedi Projektteilung/project dept.

Fon +49 (0)2572 / 156 - 0
Fax +49 (0)2572 / 156 - 239

filename: 073784100_bench_USA.iam

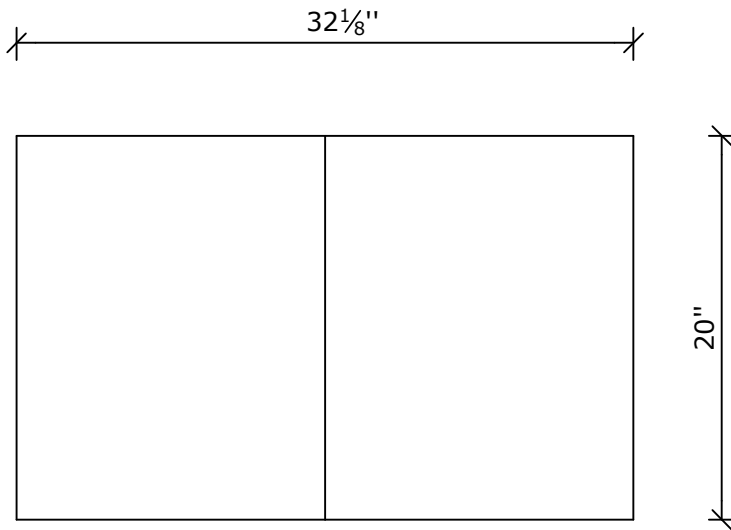
This drawing and its copyrights are owned by wedi GmbH.
The use of this drawing is subject to prior,
written authorization by wedi GmbH.



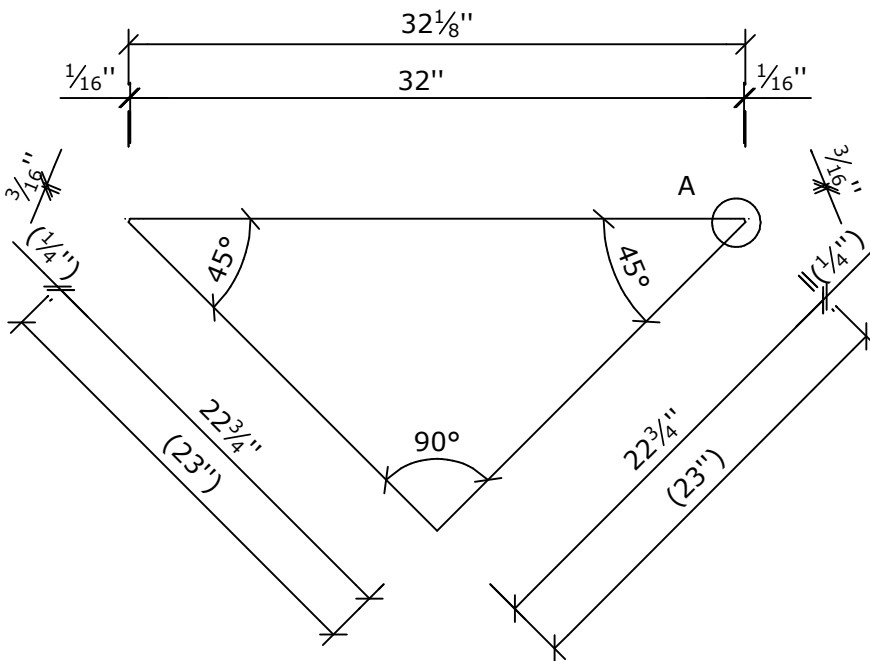
Diese Zeichnung / Skizze ist Eigentum der wedi GmbH und unterliegt dem Urheberrecht. Die Verwendung bedarf in jedem Fall der vorherigen, schriftlichen Zustimmung der wedi GmbH.

Zeichnungsnummer drawing number Z 00 00 60 49 Kunde/ client : wedi corporation BV/ BP : ---				Benennung/ Designation wedi shower curb dimensions: 4 1/2" x 5 1/8" x 5' Art.-Nr.: 07-43-19/002		
				3D Drawn	Datum Date 10.06.2012	Name Name ds
				2D Drawn	10.06.2012	ds
				Gepr. Checked		
				Fertigungszustand/ Bautoleranzen: finished condition/ tolerances: nach DIN 18202		
Ausg. Issue	Aenderung Modifikation	Datum Date	Name Name	Masse in Fuss/Zoll dimensions in feet/inches		filename: 074319002_shower_curb_USA.ipt
				wedi GmbH Hollefeldstrasse 42 48282 Emsdetten		... wedi® wedi Vertrieb/ sales wedi Projektteilung/projekt dept.
						Fon +49 (0)2572 / 156 - 0 Fax +49 (0)2572 / 156 - 133 Fon +49 (0)2572 / 156 - 0 Fax +49 (0)2572 / 156 - 239
						Inventor 2009

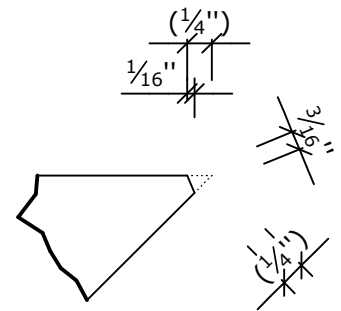
This drawing and its copyrights are owned by wedi GmbH.
The use of this drawing is subject to prior,
written authorization by wedi GmbH.



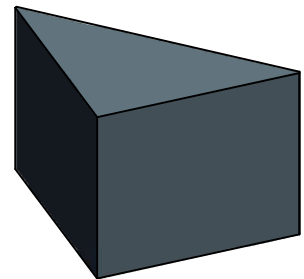
view (1 : 10)



top view (1 : 10)



detail A (1 : 2)



(1 : 20)

Diese Zeichnung / Skizze ist Eigentum der wedi GmbH und unterliegt dem Urheberrecht. Die Verwendung bedarf in jedem Fall der vorherigen, schriftlichen Zustimmung der wedi GmbH.

Zeichnungsnummer
drawing number **Z 00 00 58 22**

Kunde/ client : wedi corp.

BV/ BP : ----

Benennung/ designation

wedi bench full foam USA

Art.: 07-37-84/101

Ausg. issue	Änderung modification	Datum date	Name name	Maße in Zoll dimensions in inch	DIN A4
				3D drawn	Datum date
				2D drawn	Name name
				CAD/CAM Progr.	
				Fertigungszustand/ Bautoleranzen: finished condition/ tolerances: nach DIN 18202	

wedi GmbH
Hollefeldstrasse 51
48282 Emsdetten



wedi Vertrieb/ sales

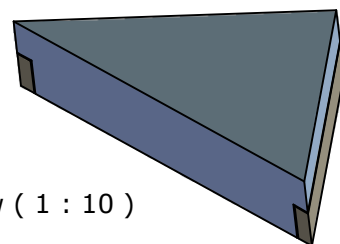
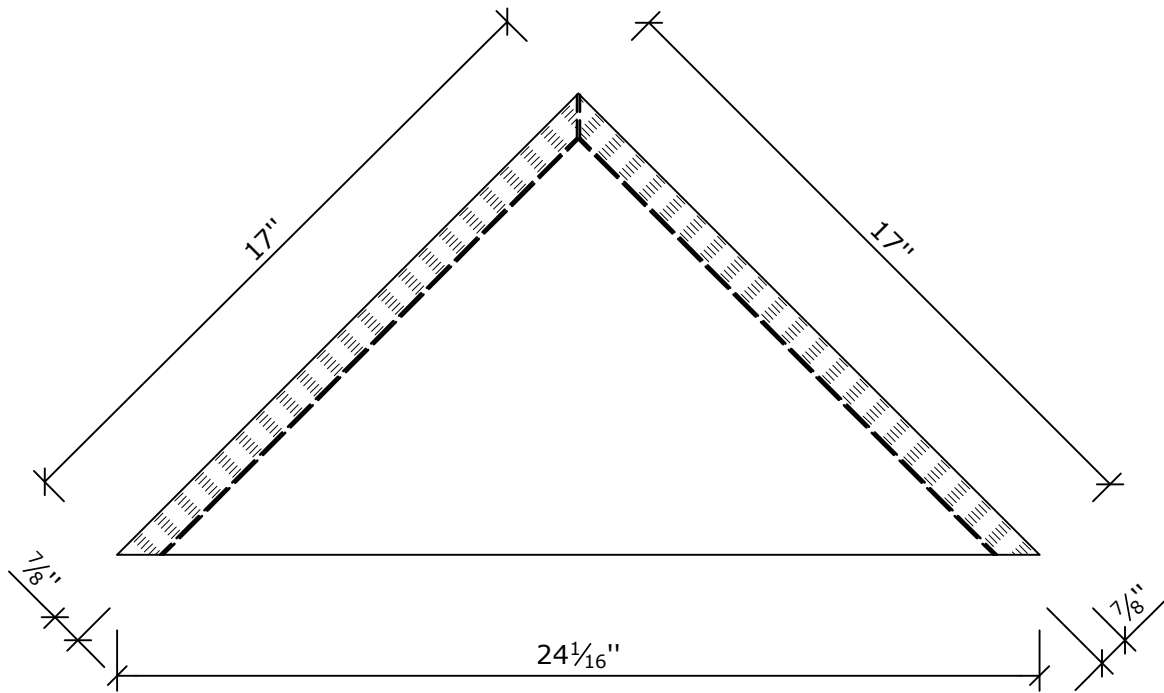
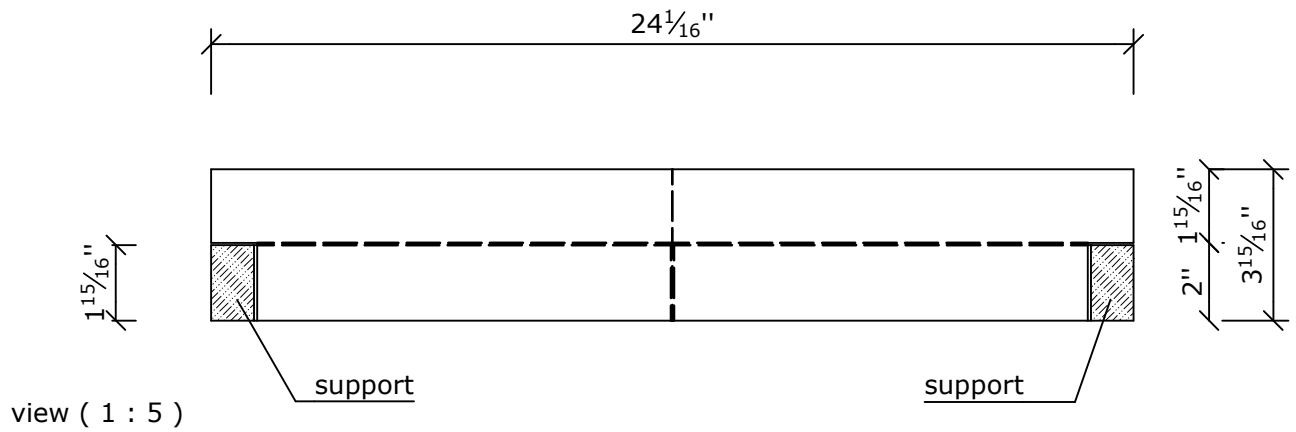
Fon +49 (0)2572 / 156 - 0
Fax +49 (0)2572 / 156 - 133

wedi Projektteilung/project dept.

Fon +49 (0)2572 / 156 - 0
Fax +49 (0)2572 / 156 - 239

filename: 073784101_bench_full_foam_USA.iam

This drawing and its copyrights are owned by wedi GmbH.
The use of this drawing is subject to prior,
written authorization by wedi GmbH.



Diese Zeichnung / Skizze ist Eigentum der wedi GmbH und unterliegt dem Urheberrecht. Die Verwendung bedarf in jedem Fall der vorherigen, schriftlichen Zustimmung der wedi GmbH.

Zeichnungsnummer
drawing number **Z 00 00 47 09**

Kunde/ client : wedi corporation

BV/ BP : ---

Benennung/ designation

wedi USA corner seat M

Maße: 17 inch (431,8mm) Art.: 07-37-84/301

Ausg. issue	Anderung modification	Datum date	Name name	Maße in Zoll dimensions in inch	DIN A4
				3D drawn	Datum date 23.06.2009
				2D drawn	Name name et
				CAD/CAM Progr.	et
C	Standardisierung	19.06.2012	nd	Fertigungszustand/ Bautoleranzen: finished condition/ tolerances: nach DIN 18202	
B	Artikelnummer	13.03.2012	nd		
A	Srandardisierung	18.11.2009	ds		

wedi GmbH
Hollefeldstrasse 51
48282 Emsdetten



wedi Vertrieb/ sales

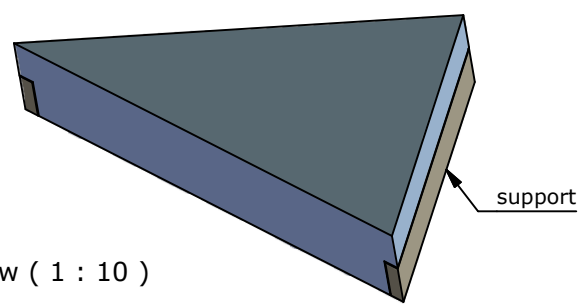
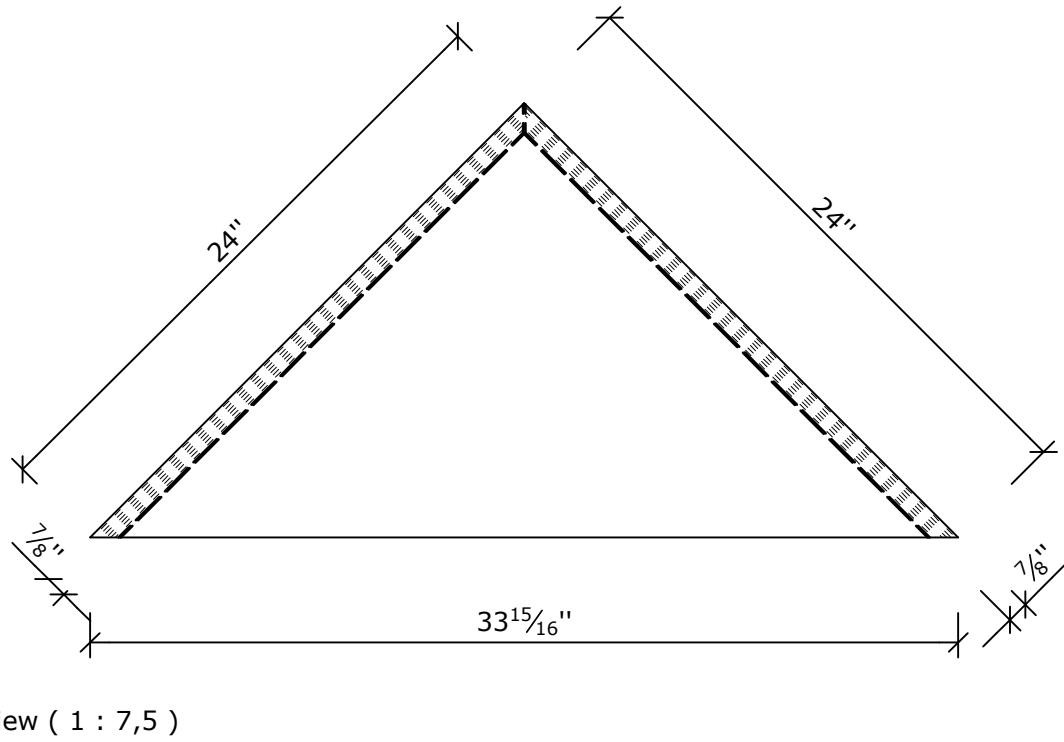
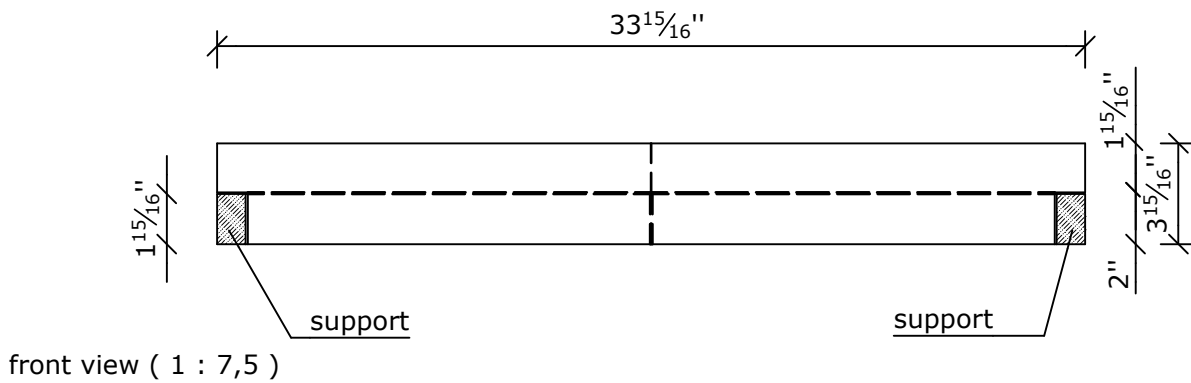
Fon +49 (0)2572 / 156 - 0
Fax +49 (0)2572 / 156 - 133

wedi Projektteilung/project dept.

Fon +49 (0)2572 / 156 - 0
Fax +49 (0)2572 / 156 - 239

filename: 073784301_USA_Ccorner_Seat_M.iam

This drawing and its copyrights are owned by wedi GmbH.
The use of this drawing is subject to prior,
written authorization by wedi GmbH.



Diese Zeichnung / Skizze ist Eigentum der wedi GmbH und unterliegt dem Urheberrecht. Die Verwendung bedarf in jedem Fall der vorherigen, schriftlichen Zustimmung der wedi GmbH.

Zeichnungsnummer drawing number Z 00 00 47 10 Kunde/ client : wedi corp. BV/ BP : ---				Benennung/ designation wedi USA corner seat L Maße: 24 inch (609,6mm) Art.: 07-37-84/401		
				3D drawn	Datum date 23.06.2009	Name name et
				2D drawn	23.06.2009	et
				CAD/CAM Progr.		
C	Standardisierung	10.07.2012	nd	Fertigungszustand/ Bautoleranzen: finished condition/ tolerances: nach DIN 18202		
B	Artikelnummer	13.03.2012	nd			
A	Standardisierung	18.11.2009	ds			
Ausg. issue	Anderung modification	Datum date	Name name	Maße in Zoll dimensions in inch	DIN A4	
				filename: 073784401_USA_Corner_Seat_L.iam		

wedi GmbH
Hollefeldstrasse 51
48282 Emsdetten

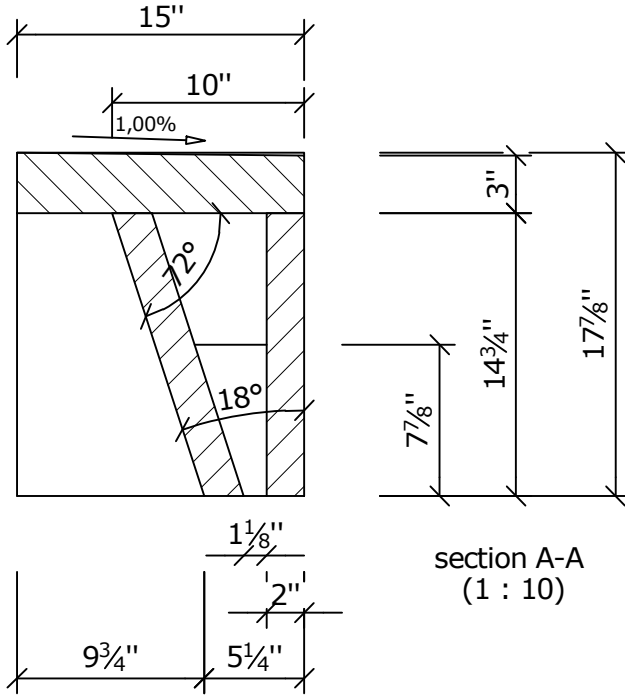
wedi Vertrieb/ sales
Fon +49 (0)2572 / 156 - 0
Fax +49 (0)2572 / 156 - 133

wedi Projektteilung/project dept.
Fon +49 (0)2572 / 156 - 0
Fax +49 (0)2572 / 156 - 239

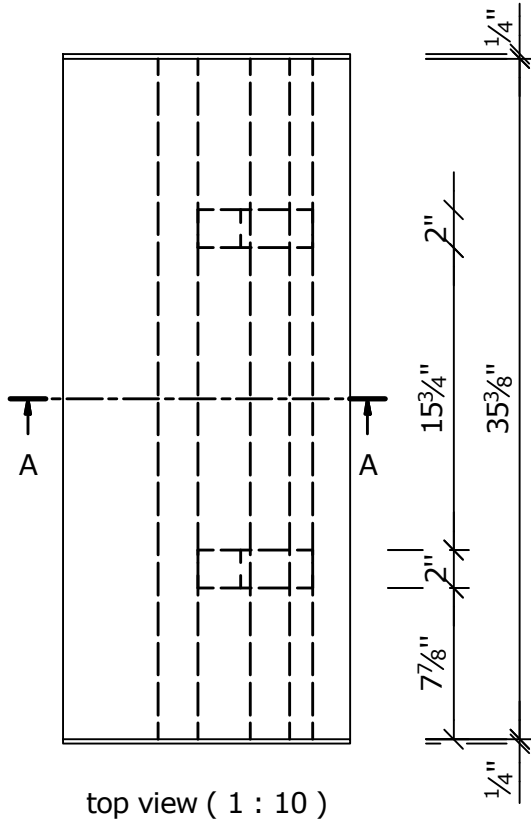


This drawing and its copyrights are owned by wedi GmbH.
The use of this drawing is subject to prior,
written authorization by wedi GmbH.

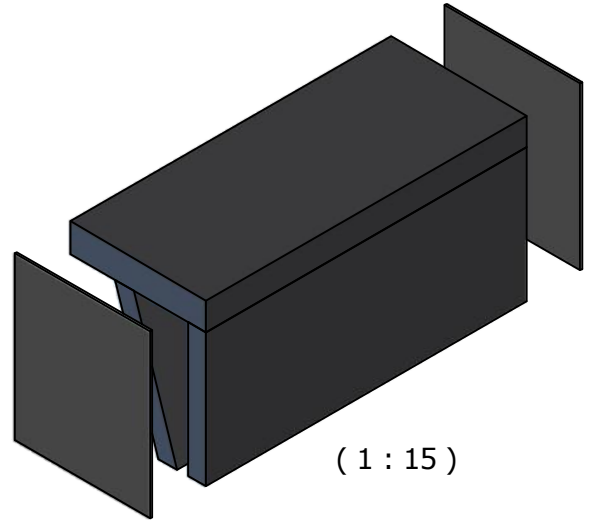
for approval



section A-A
(1 : 10)



top view (1 : 10)



(1 : 15)

Production release:

date, signature

Diese Zeichnung / Skizze ist Eigentum der wedi GmbH und unterliegt dem Urheberrecht. Die Verwendung bedarf in jedem Fall der vorherigen, schriftlichen Zustimmung der wedi GmbH.

Zeichnungsnummer
drawing number **Z 00 00 65 91**

Kunde/ client :
BV/ BP :

Benennung/ designation

wedi Sanoasa Shower Bench 1
straight / Art.: 07-64-47/030

Ausg. issue	Anderung modification	Datum date	Name name	Maße in Zoll dimensions in inch	DIN A4
B	BA 06	26.09.2016	ds		
A	Cutting height	04.04.2016	tf		

	Datum date	Name name
3D drawn	18.03.2016	ds
2D drawn	18.03.2016	ds
CAD/CAM Progr.		

Fertigungszustand/ Bautoleranzen:
finished condition/ tolerances:
nach DIN 18202

wedi GmbH
Hollefeldstrasse 51
48282 Emsdetten



wedi Vertrieb/ sales

Fon +49 (0)2572 / 156 - 0
Fax +49 (0)2572 / 156 - 133

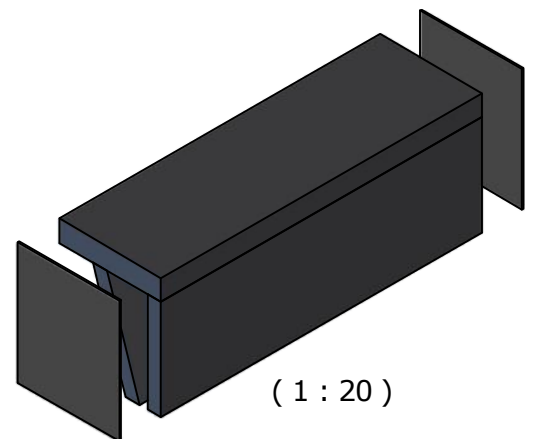
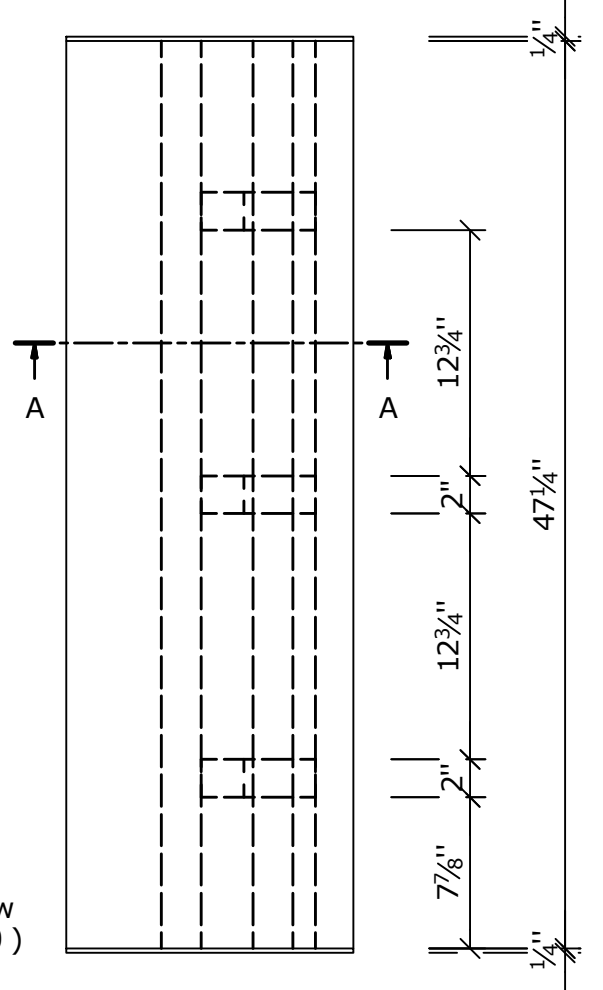
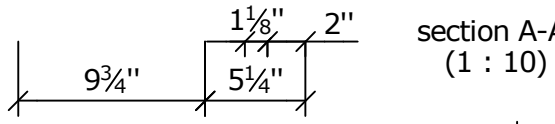
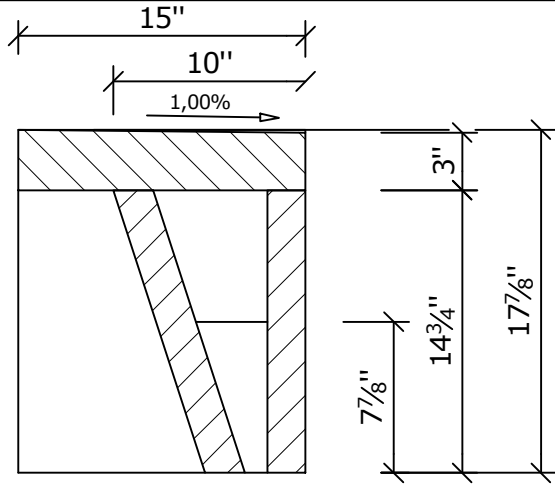
wedi Projektteilung/project dept.

Fon +49 (0)2572 / 156 - 0
Fax +49 (0)2572 / 156 - 239

filename: 076447030_Zusammenbau.iam

This drawing and its copyrights are owned by wedi GmbH.
The use of this drawing is subject to prior,
written authorization by wedi GmbH.

for approval



Production release:

date, signature

Diese Zeichnung / Skizze ist Eigentum der wedi GmbH und unterliegt dem Urheberrecht. Die Verwendung bedarf in jedem Fall der vorherigen, schriftlichen Zustimmung der wedi GmbH.

Zeichnungsnummer drawing number Z 00 00 65 92 Kunde/ client : BV/ BP :				Benennung/ designation wedi Sanoasa Shower Bench 1 straight / Art.: 07-64-47/031	
				Datum date	Name name
				18.03.2016	ds
				18.03.2016	ds
B	BA 06	26.09.2016	ds	Fertigungszustand/ Bautoleranzen: finished condition/ tolerances: nach DIN 18202	
A	Cutting height	04.04.2016	tf		
Ausg. issue	Anderung modification	Datum date	Name name	Maße in Zoll dimensions in inch	DIN A4
					filename: 076447031_Zusammenbau.iam

wedi GmbH
Hollefeldstrasse 51
48282 Emsdetten

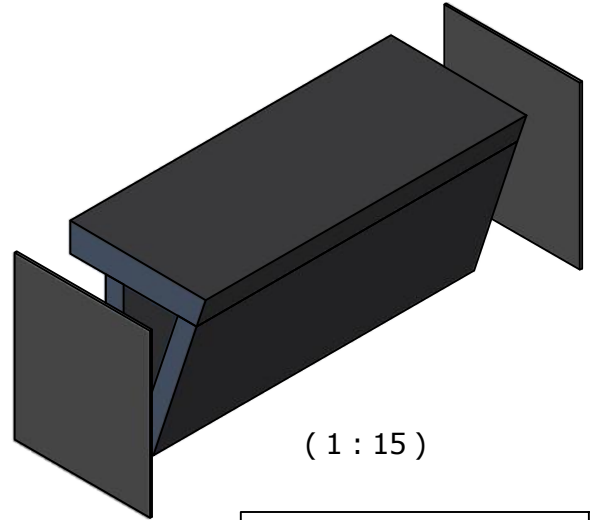
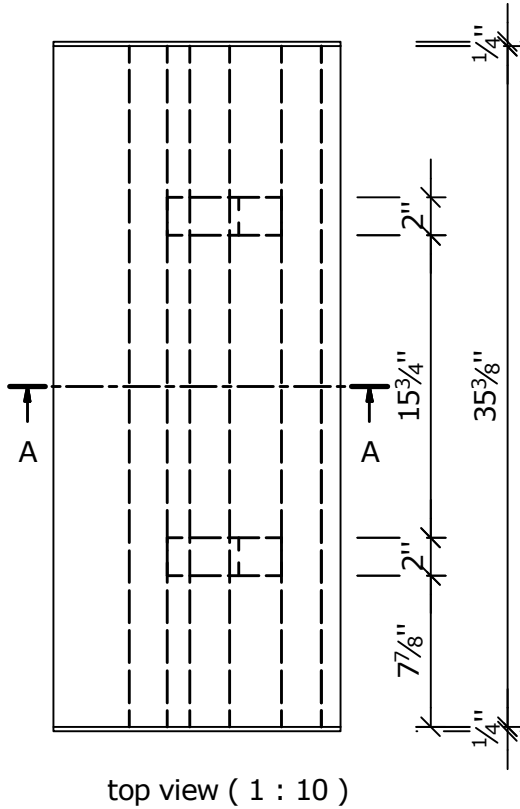
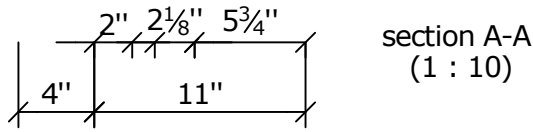
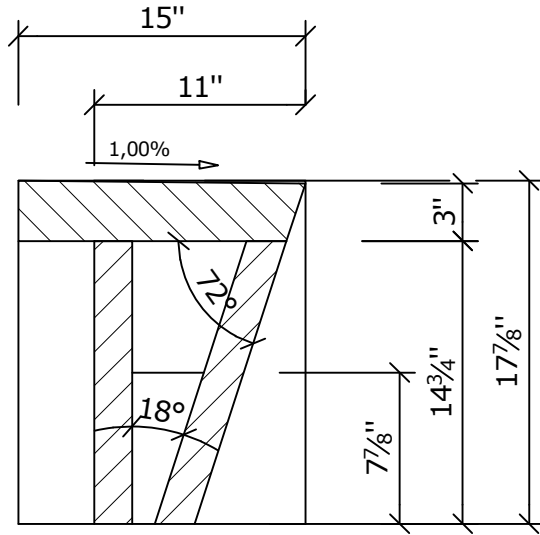
... wedi®

wedi Vertrieb/ sales
Fon +49 (0)2572 / 156 - 0
Fax +49 (0)2572 / 156 - 133

wedi Projektteilung/project dept.
Fon +49 (0)2572 / 156 - 0
Fax +49 (0)2572 / 156 - 239

This drawing and its copyrights are owned by wedi GmbH.
The use of this drawing is subject to prior,
written authorization by wedi GmbH.

for approval



Production release:

date, signature

Diese Zeichnung / Skizze ist Eigentum der wedi GmbH und unterliegt dem Urheberrecht. Die Verwendung bedarf in jedem Fall der vorherigen, schriftlichen Zustimmung der wedi GmbH.

Zeichnungsnummer / drawing number: **Z 00 00 65 93**
Kunde / client: _____
BV/ BP: _____

Benennung / designation:
wedi Sanoasa Shower Bench 2
angled / Art.: 07-64-47/032

Ausg. / issue	Anderung / modification	Datum / date	Name / name	Maße in Zoll / dimensions in inch	DIN A4
				3D drawn	Datum / date: 18.03.2016 Name / name: ds
				2D drawn	Datum / date: 18.03.2016 Name / name: ds
				CAD/CAM Progr.	
B	BA 06	26.09.2016	ds	Fertigungszustand/ Bautoleranzen: finished condition/ tolerances: nach DIN 18202	
A	Cutting height	04.04.2016	tf		

wedi GmbH
Hollefeldstrasse 51
48282 Emsdetten

... wedi®

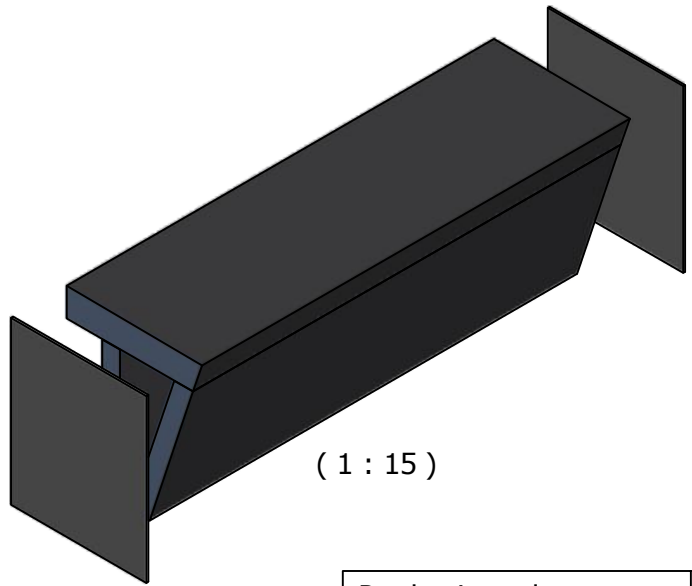
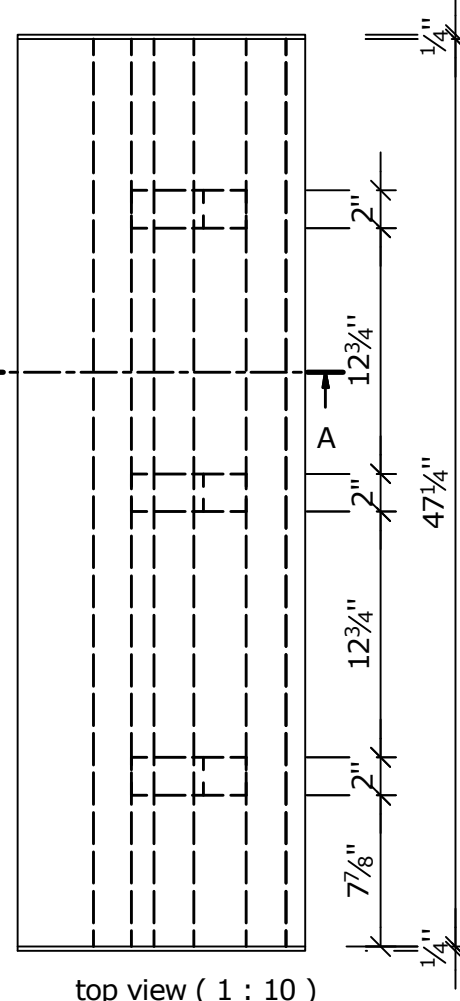
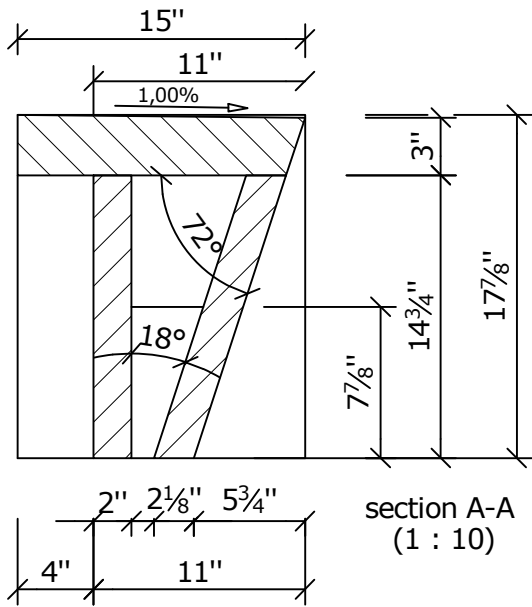
wedi Vertrieb/ sales
Fon +49 (0)2572 / 156 - 0
Fax +49 (0)2572 / 156 - 133

wedi Projektteilung/project dept.
Fon +49 (0)2572 / 156 - 0
Fax +49 (0)2572 / 156 - 239

filename: 076447032_Zusammenbau.iam

This drawing and its copyrights are owned by wedi GmbH.
The use of this drawing is subject to prior,
written authorization by wedi GmbH.

for approval



Production release:

date, signature

Diese Zeichnung / Skizze ist Eigentum der wedi GmbH und unterliegt dem Urheberrecht. Die Verwendung bedarf in jedem Fall der vorherigen, schriftlichen Zustimmung der wedi GmbH.

Zeichnungsnummer drawing number Z 00 00 65 94 Kunde/ client : BV/ BP :				Benennung/ designation wedi Sanoasa Shower Bench 2 angled / Art.: 07-64-47/033	
				Datum date	Name name
				18.03.2016	ds
				18.03.2016	ds
B	BA 06	26.09.2016	ds	Fertigungszustand/ Bautoleranzen: finished condition/ tolerances: nach DIN 18202	
A	Cutting height	04.04.2016	tf		
Ausg. issue	Anderung modification	Datum date	Name name	Maße in Zoll dimensions in inch	DIN A4
					filename: 076447033_Zusammenbau.iam

wedi GmbH
Hollefeldstrasse 51
48282 Emsdetten

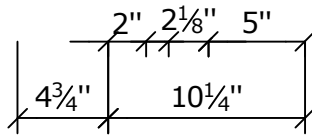
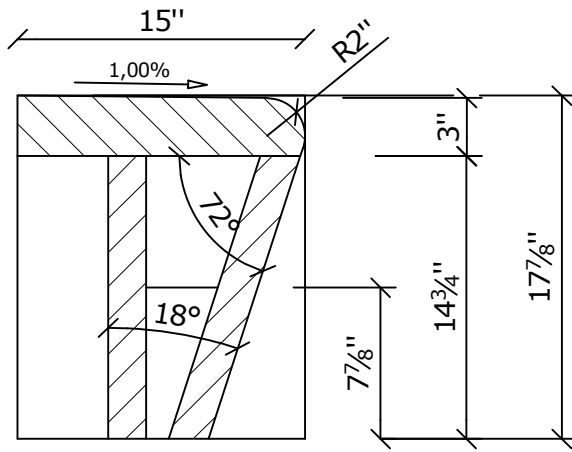
... wedi®

wedi Vertrieb/ sales
Fon +49 (0)2572 / 156 - 0
Fax +49 (0)2572 / 156 - 133

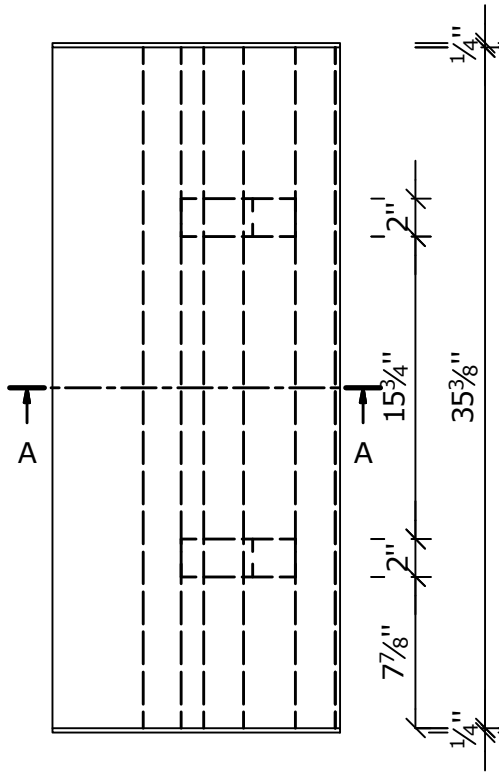
wedi Projektteilung/project dept.
Fon +49 (0)2572 / 156 - 0
Fax +49 (0)2572 / 156 - 239

This drawing and its copyrights are owned by wedi GmbH.
The use of this drawing is subject to prior,
written authorization by wedi GmbH.

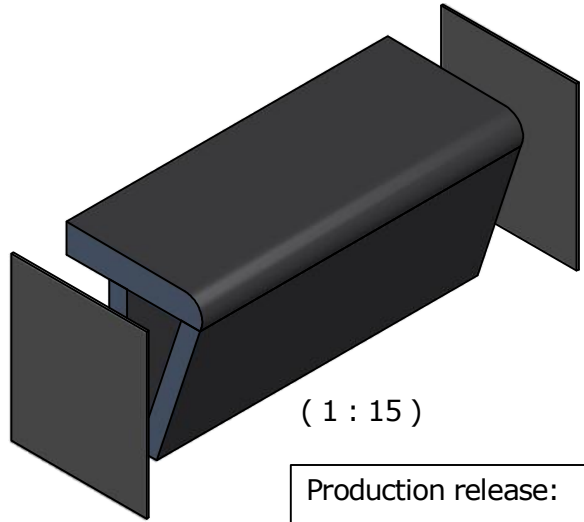
for approval



section A-A
(1 : 10)



top view (1 : 10)



(1 : 15)

Production release:

date, signature

Diese Zeichnung / Skizze ist Eigentum der wedi GmbH und unterliegt dem Urheberrecht. Die Verwendung bedarf in jedem Fall der vorherigen, schriftlichen Zustimmung der wedi GmbH.

Zeichnungsnummer
drawing number **Z 00 00 65 95**
Kunde/ client :
BV/ BP :

Benennung/ designation
wedi Sanoasa Shower Bench 3
rounded / Art.: 07-64-47/034

Ausg. issue	Anderung modification	Datum date	Name name	Maße in Zoll dimensions in inch	DIN A4
B	BA 06	26.09.2016	ds		
A	Cutting height	04.04.2016	tf		

Datum date
18.03.2016
Name name
ds
3D drawn
18.03.2016
ds
2D drawn
CAD/CAM
Progr.
Fertigungszustand/ Bautoleranzen:
finished condition/ tolerances:
nach DIN 18202

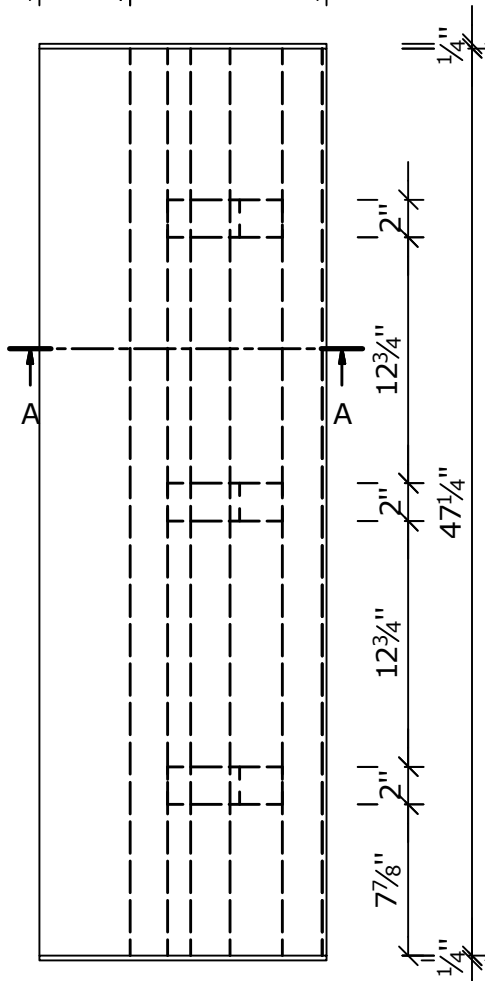
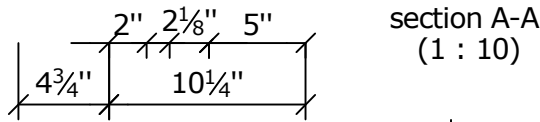
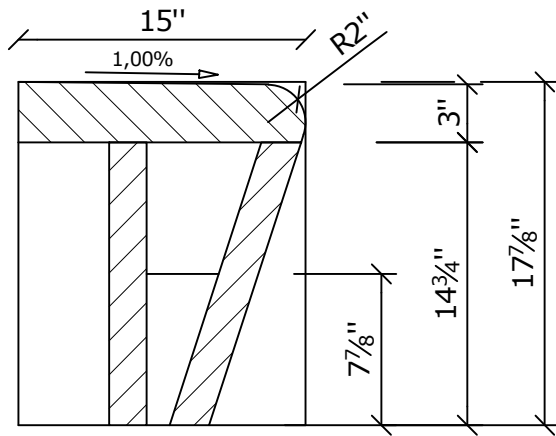
wedi GmbH
Hollefeldstrasse 51
48282 Emsdetten
wedi Vertrieb/ sales
Fon +49 (0)2572 / 156 - 0
Fax +49 (0)2572 / 156 - 133
wedi Projektteilung/project dept.
Fon +49 (0)2572 / 156 - 0
Fax +49 (0)2572 / 156 - 239



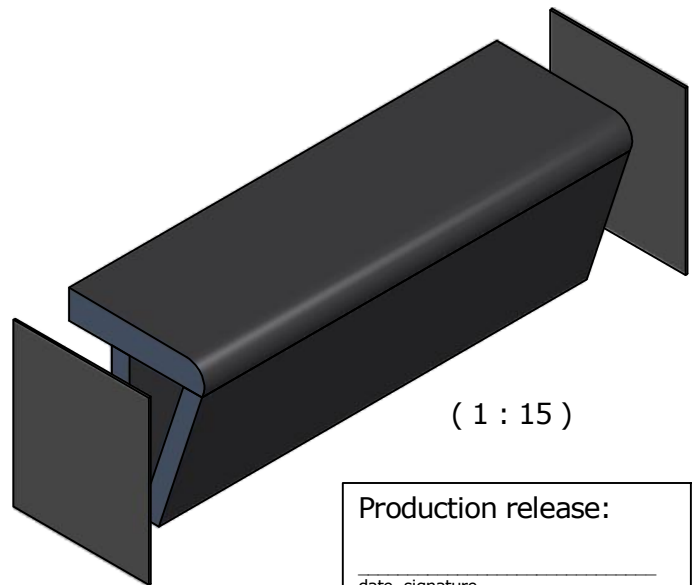
filename: 076447034_Zusammenbau.iam

This drawing and its copyrights are owned by wedi GmbH.
The use of this drawing is subject to prior,
written authorization by wedi GmbH.

for approval



top view (1 : 10)



(1 : 15)

Production release:

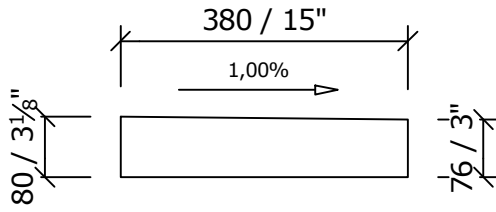
date, signature

Diese Zeichnung / Skizze ist Eigentum der wedi GmbH und unterliegt dem Urheberrecht. Die Verwendung bedarf in jedem Fall der vorherigen, schriftlichen Zustimmung der wedi GmbH.

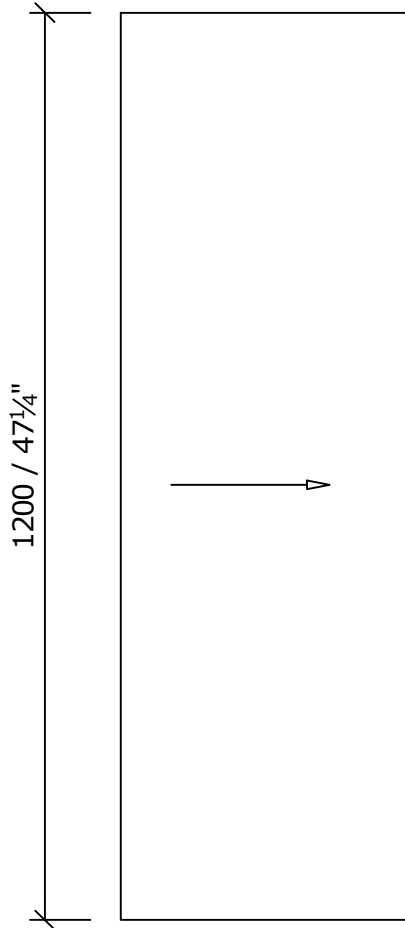
Zeichnungsnummer drawing number Z 00 00 65 96 Kunde/ client : BV/ BP :				Benennung/ designation wedi Sanoasa Shower Bench 3 rounded / Art.: 07-64-47/035	
				Datum date 18.03.2016 Name name ds	wedi GmbH Hollefeldstrasse 51 48282 Emsdetten ... wedi® wedi Vertrieb/ sales wedi Projektteilung/project dept. filename: 076447035_Zusammenbau.iam
				3D drawn 18.03.2016 2D drawn 18.03.2016 CAD/CAM Progr. ds	
B	BA 06	26.09.2016	ds	Fertigungszustand/ Bautoleranzen: finished condition/ tolerances: nach DIN 18202	
A	Cutting height	04.04.2016	tf		
Ausg. issue	Anderung modification	Datum date	Name name	Maße in Zoll dimensions in inch	DIN A4

Fon +49 (0)2572 / 156 - 0
Fax +49 (0)2572 / 156 - 133
Fon +49 (0)2572 / 156 - 0
Fax +49 (0)2572 / 156 - 239

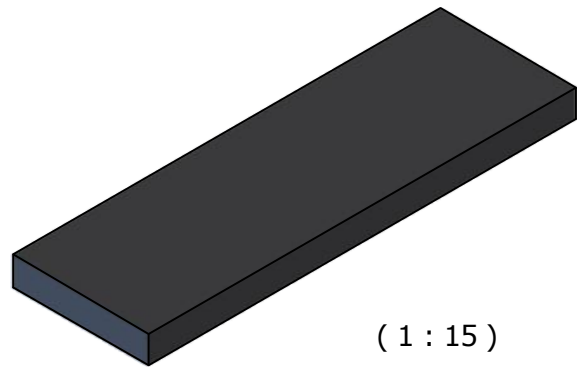
This drawing and its copyrights are owned by wedi GmbH.
The use of this drawing is subject to prior,
written authorization by wedi GmbH.



view (1 : 10)



top view (1 : 10)



(1 : 15)

Diese Zeichnung / Skizze ist Eigentum der wedi GmbH und unterliegt dem Urheberrecht. Die Verwendung bedarf in jedem Fall der vorherigen, schriftlichen Zustimmung der wedi GmbH.

Zeichnungsnummer
drawing number **Z 00 00 68 91**
Kunde/ client :
BV/ BP :

Benennung/ designation
wedi Sanoasa shower bench 4 USA
Art.: 07-64-47/040

Ausg. issue	Anderung modification	Datum date	Name name	Maße in mm dim. in millimeters	DIN A4
				3D drawn	Datum date
				2D drawn	07.12.2016
				CAD/CAM Progr.	ds
				Fertigungszustand/ Bautoleranzen: finished condition/ tolerances: nach DIN 18202	

wedi GmbH
Hollefeldstrasse 51
48282 Emsdetten

... wedi®

wedi Vertrieb/ sales
Fon +49 (0)2572 / 156 - 0
Fax +49 (0)2572 / 156 - 133

wedi Projektteilung/project dept.
Fon +49 (0)2572 / 156 - 0
Fax +49 (0)2572 / 156 - 239

filename: 076447040_Sanoasa_shower_bench_4_USA.ipt