

wedi Fundo OneStep

- Pre-sloped and internally waterproof Point drain shower base system with built in walls and curb
- Simple installation of shower base and tile with cement based thinset mortars
- Used with large and small format tile



General product description

Internally waterproof and pre-sloped shower floor base with factory integrated and waterproof point drain connection, as well built in pre-sloped curb and perimeter walls for fast track installations that eliminate the many different steps and products involved in traditional mortar bed or semi pre-fabricated sheet – or liquid membrane system installations . Fundo OneStep is available in several standard sizes to fit predetermined shower stalls , featuring centered and off-centered drain location options. Fundo OneStep is available in custom sizes incl. custom drains, such as linear drains, upon request. Fundo OneStep can be directly tiled over upon installation and there is no limitation to the size of tile or type of tile and cement based tile setting materials selected. Fundo OneStep is available with select drain cover options. Due to the precise slope fields of the Fundo OneStep, large or small format tile may be used. Within each slope field the tile will be fully supported over an even yet sloped surface. Where slope fields meet, grout lines should be designed when using tile larger than 4 " x 4" as these should not span across two slope fields. The OnesStep bases can be installed in combination with wedi Building Panel or with alternative tile backer boards, such as cement boards, if these are topically waterproofed in the field.

Areas of application

- New Construction of Residential/Commercial use buildings
- Renovation in Residential/Commercial use building
- For fast track construction projects
- Over wooden or concrete substructures

Product features

- 100% waterproof due to its extruded polystyrene (closed cell) foam core.
- 100% mold and mildew proof due to the product 's natural composition.
- Precisely pre-sloped and ready to tile surface made of reinforcing fiberglass mesh embedded in a heavy duty, sanded epoxy resin coating performing as a strong tile backing and strong enough surface to work on during system installation and prior to tiling.
- High insulating properties due to its extruded polystyrene core giving tile or stone finish surfaces a warmer touch.
- Extremely lightweight due to its rigid foam core benefitting installations over older structures and handling on construction sites.
- Easy and clean installation in a setting bed of thinset mortar.
- Installation is extremely fast and safe due to the one piece shower base application. The product or installation requires no curing times allowing for a continuous installation process.
- Drain covers are height adjustable for a perfect finish with the tile selected
- No limitation to use of tile sizes or the type of tile
- No limitation to use of cement based thinset mortars and grouts. Product works perfectly with polyurethane or epoxy based grouts.

Substrate/ Material Preparation and Requirements Before Installation

General Limitations / Requirements (Concrete & Wood Subfloors)

- wedi Product Systems are only used for interior installations.
- Do not use as a wear surface or without tile / stone or other suitable coverings.
- Do not use organic mastic adhesives for setting tile on wedi systems in wet areas.
- Use only thinset mortar setting materials suitable for installation and adhesion to the specific substrate / subfloor type.
- Certain substrates must be primed prior to thinset mortar attachment.
- Do not use where substrate is subject to excessive moisture and moisture content changes.
- Do not use over substrates including, but not limited to: particle board, luan, asbestos, plank, bamboo, hardwood, chipboard, Sponge backed Vinyl Tile / Flooring, Laminates, Fiberglass based surfaces, Metal or Steel surfaces. Do not install over any dimensionally unstable surfaces.
- Consult wedi for questions regarding specific approved installations over substrates not listed here.
- Subfloors must be clean, even, sufficiently loadbearing and dry (cured).
- Residues, oil, waxes, grease or other contaminants acting as possible bond breakers must be removed.
- Deflection of all subfloor installations must not exceed L/360 for ceramic tile installations and L/720 for dimensional stone installations over wedi product. under consideration of live and dead loads measured between joists.
- Any leveling of the subfloor must be done prior to installing wedi product and tile. Subfloor maximum variation from plane must not exceed ¼" in 10 ft.
- wedi products should not be installed over bowl shaped, uneven structures.
- A wedi installation does not replace the need for Expansion and/ or Movement joint placement within a tile installation. Please follow recommendations found in the TCNA guidelines (Detail EJ171).
- All installations shall be in conformance with IRC for residential installations and IBC for commercial installations or applicable building codes in a region including the consideration of properly designed substrates and subfloors. All installations including the consideration of properly designed substrates and subfloors should be in compliance with current TCNA Handbook for Ceramic, Glass and Stone Tile Installation.
- wedi's technical recommendations supersede all requirements of IRC, IBC, IPC or TCNA where in conflict and exceeding minimum requirements established by the above mentioned institutions.
- Contact wedi for installation of tile or stone smaller than 2" x 2" and larger than 12 x 12 inches in size to learn more about the best practices and requirements applied in such applications. Follow tile manufacturers' recommendations for appropriate flooring tile choice, setting materials and installation techniques.

Installation over structural wooden surfaces – Flooring

- The cut out for the Fundo OneStep Drain Unit around the existing floor pipe must not exceed 6" x 6" square. It must be reinforced from below if deflection in this area occurs which would exceed the L/360 maximum allowance.
- Plywood subfloor joist spacing must not exceed 16" o.c. with minimum thickness of T&G exterior grade plywood of 19/32 inch. Joist spacing in excess of 16" o.c. and up to 24: o.c. requires a double layer of ¾" Exterior Grade Plywood T&G subfloor sheets, glued and screwed.
- Plywood sheets must be installed with a 1/8" gap between sheets.
- Wood subfloors and structures attached to wooden subfloors must be kept dry and wood moisture content must be maintained at consistent service and use levels and must not exceed 15 %. Where constant moisture or vapor is present, ventilation must be installed to eliminate exposure of the wood structure from below the wedi product layer.

Installation over concrete /cement surfaces – Flooring

- Concrete slabs or other structural cement based substrates must be fully cured (at least 28 days but up to 3 months for new Portland cement based concrete or lightweight concrete under normal conditions, mix ratio and ambient climate). Field verification of full cure (see moisture level indicators below) is necessary to determine a full cure.
- Residual humidity must not exceed the following value per each floor type when setting wedi product and / or tile coverings:
Calcium Sulphate Screeds: 0.5 %
Calcium Sulphate Screeds, heated: 0.3 %
Cement Screeds: 3.5 %
Gypsum based underlayment: 1 % or per manufacturer recommendation
Anhydrite Screeds: 0.5 %
Conduct measures with CM device.
- Please note that wedi product systems might trap rising moisture during subfloor cure time or in general from un-isolated concrete ground floors not equipped with a vapor barrier.
- Concrete Subfloors must not be subject to hydrostatic water pressure.
- Existing cracks in subfloor must be filled and secured.
- Do not use over control and / or expansion joints subject to out-of plane movement or in- plane-movement.

Fundo OneStep Technical Properties

Fundo OneStep Shower Base Material	XPS/ Extruded Polystyrene Foam Core covered with a heavy duty, sanded, epoxy based resin coating
Surface Burning Characteristics; ASTM E84-04	Passed
Tensile Strength (Thinset Mortar to wedi Coating to Foam); ASTM D 1623	59 PSI
Shear Strength (Thinset Mortar to wedi Coating to Foam); within ANSI 118.10-1999; wet conditions	39 PSI
Compressive Strength; ASTM D1621	54 PSI
Waterproofness; ASTM D4068 and within ANSI 118.10-1999	Passes
Waterproofness of Assembled System; IAPMO PS 106-2015	Passes
Capillarity	0
Temperature Exposure Limits	-58°F to + 175°F
R- Value; ASTM C518	4.3hr ft. 2 F/Btu/in (R – value for 1 inch of wedi foam = 4.3
Robinson Floor Test; ASTM C627	Heavy Duty Commercial Use, Passes
Fungus & Bacteria Resistance; ASTM G21	No Growth , Passes
Building & Plumbing Code Compliance	
2015,2012,and 2009 International Plumbing Code (IPC)	Compliant
2015,2012, and 2009 International Residential Code (IRC)	Compliant
2015,2012, and 2009 International Building Code (IBC)	Compliant
2010 and 2005 National Plumbing Code of Canada	Compliant
2012 and 2009 Uniform Plumbing Code (UPC)	Compliant
2012 and 2009 National Standard Plumbing Code (NSPC)	Compliant
ANSI 118.10-2008 Load – Bearing Bonded, Waterproof Membranes for Thinset Ceramic Tile and Dimension Stone Installations	Compliant
ASME A112.6.3-2001 (R07) Floor and Trench Drains	Compliant
IAPMO PS 46-2012 Field Fabricated Tiling Kits	Compliant

Building & Plumbing Code Compliance continued

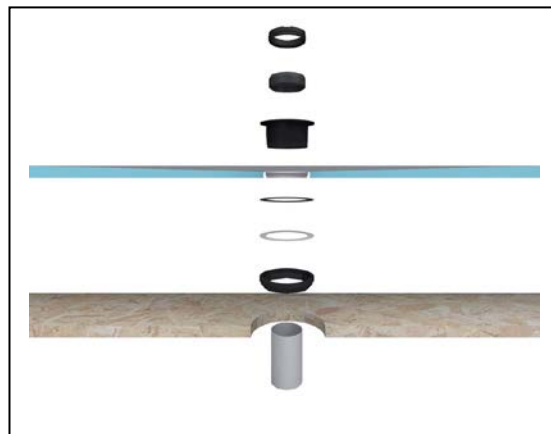
IAPMO PS 106-2015 Tileable Shower Receptors and Shower Kits	Compliant
New York City Approval OTCR	Approved
City of L.A. Approval	Approved; Report No M-100017 in reference to ICC ES PMG 1189
Illinois State Approval IDPH	Approved
Michigan State Approval	Approved ; Report 1625-PA
Wisconsin State Approval	Approved, File 20130265
Massachusetts State Approval	Approved; P3-0315-306 &P3-0315-306
Worldwide Approvals Quality Management & Control	ISO 9001-2008
North- America Approvals Code Compliances & Quality Management	ICC ES PMG 1189

Drain Technical Properties

Factory integrated drain connection valve in shower base and field installed compression fit drain unit provided in each system. Drain unit seals to all nominal 2" schedule 40 floor pipes made of ABS or PVC. Special sealing gaskets are available to seal to 2" or 1 1/2" Cast Iron or Copper Pipe. Glue/ Cement Connection drain available in ABS for nominal 2" schedule 40 floor pipes.

Fundo OneStep Drain Material	ABS
------------------------------	-----

Code Compliance (International Plumbing Code/ IPC): ASME A112.18.2 (no liner/no bonding flange / no weepholes needed with wedi system) Compliant (ICC PMG 1189)



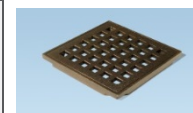
Drain Covers Technical Properties

wedi Fundo OneStep Drain Covers (all options); nominal 4" x 4" square or round	Stainless Steel 304; Brushed
wedi Fundo OneStep Colored Covers (Oil Rubbed Bronze); nominal 4" x 4" square	Stainless St. 304; Powdercoated

The covers (except coloured) are available in two variants: with "permanent" screw assembly or without (standard). They are height adjustable when using the optional plastic height extension/ riser provided in each unit to match tile installation height on shower base floor.

The Product Range

wedi Fundo OneStep Shower Base	External Dimensions Width x Length x Height	Unit	Item #
Fundo OneStep, floor base, with Center Point Drain	36" x 36" x 4"	1 pc	US4000004
Fundo OneStep, floor base, with Center Point Drain	36" x 48" x 4"	1 pc	US4000005
Fundo Primo, floor base, with Center Point Drain	32" x 60" x 4"	1 pc	US4000008
Fundo Primo, floor base, with Center Point Drain	36" x 60" x 4"	1 pc	US4000003
Fundo Primo, floor base, with Off-Center LEFT Point Drain	36" x 60" x 4"	1 pc	US4000006
Fundo Primo, floor base, with Off-Center LEFT Point Drain	36" x 60" x 4"	1 pc	US4000007
Cover Standard and Drain Unit Sets	Width x Length x Height (Cover)	Unit	Item #
Fundo OneStep Standard Cover Set and Compression Fit Drain Unit (Included in Primo Unit)	3 ¾" x 3 ¾" x ¼"	1 pc	US1000003
Fundo OneStep Standard Cover Set and Glue Connection Fit Drain Unit	3 ¾" x 3 ¾" x ¼"	1 pc	US1000007
Fundo OneStep Standard Cover Set and Brass Compression Fit Drain Unit	3 ¾" x 3 ¾" x ¼"	1 pc	US1000004
Cover Sets Only	Width x Length x Height (Cover)	Unit	Item #
Fundo OneStep Standard Cover Set	3 ¾" x 3 ¾" x ¼"	1 pc	US1000009
Fundo OneStep Standard Cover Set Oil Rubbed Bronze	3 ¾" x 3 ¾" x ¼"	1 pc	US1000008
Fundo Fino Tileable Cover Set	3 ¾" x 3 ¾" x ¼"	1 pc	US1000020



Fundo Fino Cover Set 1.1; Square (Daisy Design)	3 ¾" x 3 ¾" x ¼"	1 pc	US1000021	
Fundo Fino Cover Set 1.1.2; Round (Daisy Design)	4 ½" Ø	1 pc	US1000023	
Fundo Fino Cover Set 1.3; square /w. Screws (Daisy Design)	3 ¾" x 3 ¾" x ¼"	1 pc	US1000022	
Fundo Fino Cover Set 1.3.2; Round/w. Screws (Daisy Design)	4 ½" Ø	1 pc	US1000027	
Fundo Fino Cover Set 3.1; Square (Pebbles Design)	3 ¾" x 3 ¾" x ¼"	1 pc	US1000024	
Fundo Fino Cover Set 3.1.2; Round (Pebbles Design)	4 ½" Ø	1 pc	US1000026	
Fundo Fino Cover Set 3.3; square 4" x 4"/w. Screws (Daisy Design)	3 ¾" x 3 ¾" x ¼"	1 pc	US1000025	
Fundo Fino Cover Set 3.3.2; Round/w. Screws (Pebbles Design)	4 ½" Ø	1 pc	US1000028	
Drain Units Only & Accessories	Width x Length x Height	Unit	Item #	
wedi Fundo Compression Fit Drain Unit	For 2" Floor Pipe Schedule 40 ABS or PVC unless sealing gasket is changed to seal to different pipe (see optional sealing gaskets available)	1 pc	US1000012	
wedi Fundo Compression Fit Drain Unit Brass	For 2" Floor Pipe Schedule 40 ABS or PVC unless sealing gasket is changed to seal to different pipe (see optional sealing gaskets available)	1 pc	US1000011	
wedi Fundo Glue In Drain (ABS)	For 2 " Schedule 40 ABS floor pipe unless multipurpose cement is used	1 pc	US1000010	
wedi Caulking Gasket Cast Iron Pipe 2"	For 2" Floor Pipe Cast Iron	1 pc	US5000030	
wedi Caulking Gasket Copper Pipe 2"	For 2" Floor Pipe Copper	1 pc	US5000031	
wedi Tool: Wrench/ Caulking Nut Wrench	For faster/consistent installation of compression fit gaskets	1 pc	US5000032	

Scope of Delivery

The wedi Fundo OneStep Unit includes the Shower Base and the Drain Unit/ Drain Cover Assembly as well as a unit of wedi Joint Sealant.

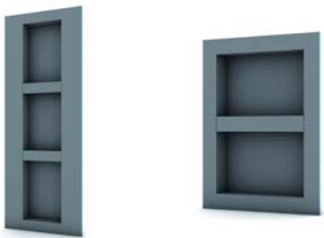
Complementary Products to build an entire wedi OneStep Shower System

wedi Building Panel for a waterproof wall- see wedi Building Panel Tub & Shower Surround Kit

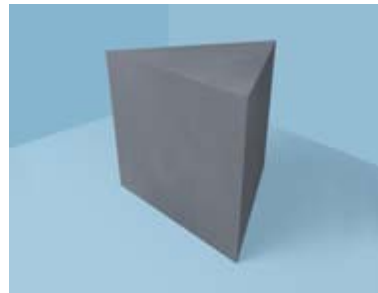


wedi Building Panel Tub & Shower Surround Kit
Seats & Benches to upgrade Showers

wedi

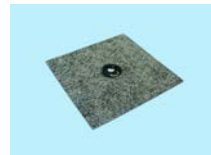


wedi Recess Niches to provide storage
for Shampoo and Utensils



wedi Seats & Benches to upgrade Showers

wedi Installation Accessories: Sealants, Fasteners & Tools



Sustainability & Environmental Considerations

- wedi's product is rated by the International Panel on Climate Change (IPCC) with a Global Warming Potential of 1 (no negative impact considering its entire lifetime including its production process, its use in application and its ultimate disposal). wedi's extrusion agent is CO₂. No CFC as commonly used with foam extrusion is utilized.
- wedi refrains from using global warming halogenides, negatively impacting global warming and commonly found in foam products, in its wedi foam product.
- wedi's highly automated manufacturing facilities source electric power exclusively from energy sources producing renewable energy such as from water, wind, solar.
- All foam material waste occurring during the manufacturing processes is recycled and used to manufacture lightweight cement floor filler products.
- wedi polystyrene foam ingredients consist of recycled material at a rate of 25%.
- wedi's waterproof product systems protect wet room tile & stone installations against deterioration and mold due to water exposure damages and increase the average lifetime of wetroom installations such as showers, this conserving energy and material. The maintenance, cleanliness and added value to surfaces, air quality as well as general health of users is provided by the natural mold protection offered by wedi product.
- wedi product offers insulation properties and will help conserving energy when product is used on walls as well as on cold floor substrates and/ or with floor warming systems.

Warranty Information

Please refer to wedi's 10 year limited warranty on www.wedicorp.com. Please note that the International Plumbing Code requires a waterproof transition from waterproof shower base into the wall. This can be done by installing wedi's waterproof Building Panel (as the tile backer board) and wedi's waterproof curbs. The assembly and transitional seams have to be sealed with wedi joint sealant, a wedi engineered MS Polymer sealant and adhesive. Please note: There is no suitable alternative to wedi's joint sealant.

MasterFormat™ 2004 Sections

Section 09305 Tile Setting Materials and Accessories

Section 10185 Shower Compartments

Section 09300 Tile

Storage

Store flat, cool and not exposed to weather. Store in original, protective packaging.

Health & Safety information

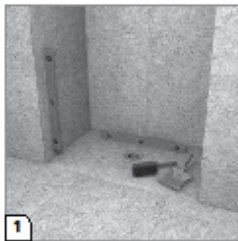
Work appropriate work wear, gloves and safety glasses. Product contains cement. Please consult the wedi Material Safety Data Sheet (MSDS) "wedi Fundo" on www.wedicorp.com.

Information about finishing and application options for wedi products, technical recommendations or advice and other information provided by our employees (technical usage advice) is accurate to the best of our knowledge, but is non-binding and is given with the exclusion of any liability. It does not exempt our customers and their buyers from carrying out their own checks and trials on the suitability of the products for the intended processes and purposes.

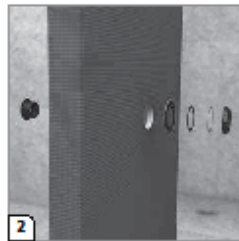
Installation of wedi Fundo OneStep Shower System

Technical Data: EcoBath™ Fundo One-Step Shower System

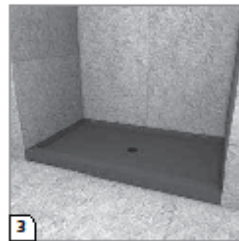
Installation Instructions for wedi® EcoBath Fundo One-Step Shower System Over Wood Floors



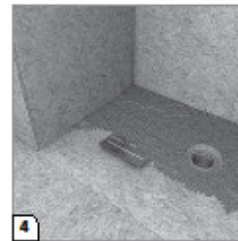
1 Cut the 2" pipe flush to the surface of the floor construction. Make sure that the cut out fits to the EcoBath Fundo One-Step basedrain. Cut out a 5" diameter hole around the 2" pipe to allow the wedi drain to be inserted into the subfloor. The drain and trap have to be sturdily fastened to the sub floor.



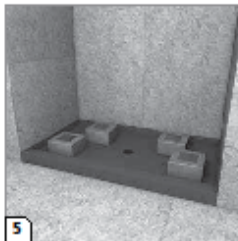
2 Set up a continuous 1/4" bead of wedi sealant along the top side of the wedi EcoBath Fundo One-Step valve groove profile. Drop the drain body firmly into the sealant. Turn the EcoBath Fundo One-Step pan upside down and apply the rubber and the fiber gasket. Tighten the gaskets firmly to the pans steel ring.



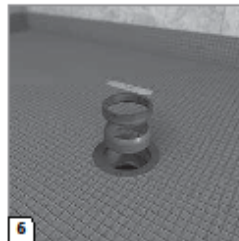
3 Dry fit the base and make sure that floor drain is located in the center of the wedi drain. Make sure the base walls are square and tight with the framework.



4 Apply a bed of modified thinset on the floor using a minimum 3/8" x 3/8" or max. 1/2" x 1/2" square notch trowel. The whole contact area for the base must be covered.

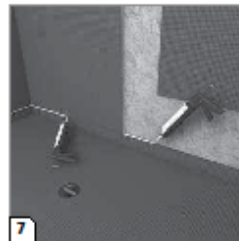


5 Press the EcoBath Fundo One-Step firmly into the thinset bed, ensuring that the installation is level and void free. Apply some weight equally and for at least 30 minutes (thinset bags).



6 Set up the rubber caulking gasket (bevelled side up) around the 2" pipe in the subfloor. The rubber gasket must be flush with the upper end of the 2" ABS or PVC pipe. Tighten the connection using caulking nut, metal guide and screw driver.

f DO NOT use any lubricants.



7 You can now install waterproof wedi 1/2" building panels directly to the framework and seal all joints and fastener points as usual and per wedi building panel installation guidelines (you may install other backerboards but you will need to add topical waterproofing / membranes).



8 Your shower is ready for tile!

After installation

- Using a 2" drain plug, the wedi pressure fit drain/sealing gasket is water tested prior to ceramic tile installation.

- No mastic adhesives are used to install ceramic tile. A high-quality modified thinset mortar is recommended. Tiles smaller than 2 x 2 inches

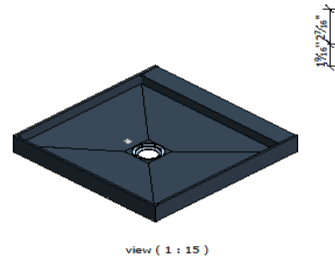
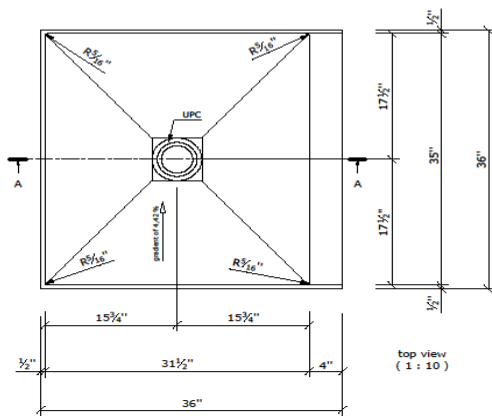
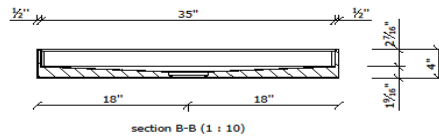
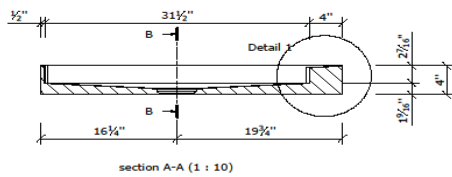
- require epoxy grout. Exceptions are pebble stones or river rock stones where a modified cement-based grout can be used.

Additional Best Practices / Tips when installing wedi Fundo OneStep

- Seal all openings in your wedi wall building panels (shower valves/shower head pipes) as water in the thinset layer below the tile may escape through those openings inflicting damage to framing.

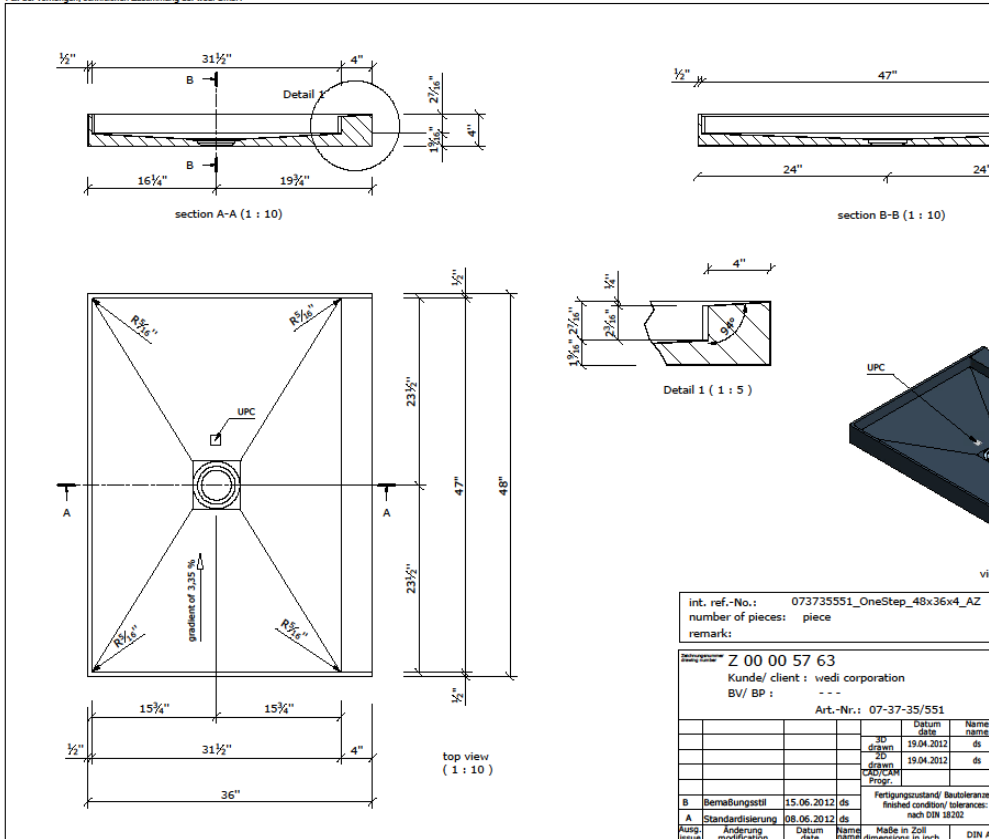
Technical Drawings

Diese Zeichnung / Satze ist Eigentum der wedi GmbH und unterliegt dem Urheberrecht. Die Verwendung bedarf in jedem Fall der vorherigen, schriftlichen Zustimmung der wedi GmbH

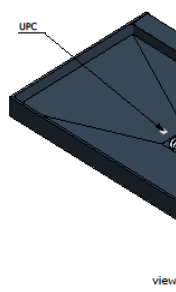
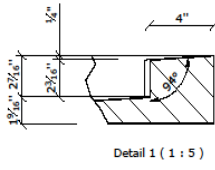
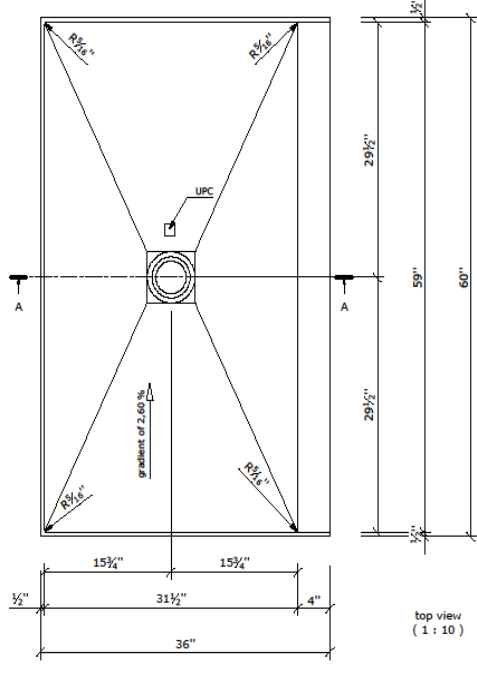
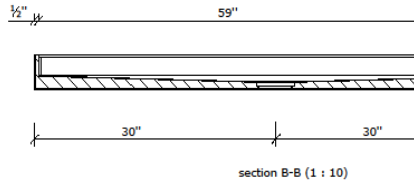
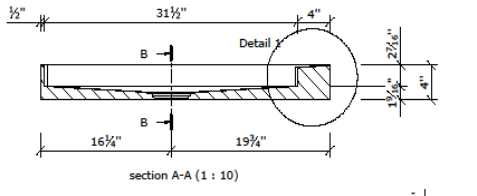


int. ref.-No.:	073735550_OneStep_36x36x4_AZ																					
number of pieces:	piece																					
remark:																						
Z 00 00 57 62																						
Kunde/ client : wedi corporation																						
BV/ BP : - - -																						
Art.-Nr.: 07-37-35/550																						
	<table border="1"> <thead> <tr> <th></th> <th>lastum</th> <th>Name</th> </tr> </thead> <tbody> <tr> <td>3D</td> <td>19.04.2012</td> <td>ds</td> </tr> <tr> <td>drawn</td> <td>19.04.2012</td> <td>ds</td> </tr> <tr> <td>2D</td> <td></td> <td></td> </tr> <tr> <td>drawn</td> <td></td> <td></td> </tr> <tr> <td>3D/CAD</td> <td></td> <td></td> </tr> <tr> <td>Prog.</td> <td></td> <td></td> </tr> </tbody> </table>		lastum	Name	3D	19.04.2012	ds	drawn	19.04.2012	ds	2D			drawn			3D/CAD			Prog.		
	lastum	Name																				
3D	19.04.2012	ds																				
drawn	19.04.2012	ds																				
2D																						
drawn																						
3D/CAD																						
Prog.																						
B	Bemaßungsstil 15.06.2012 ds	Fertigungsstatus/ Reulotoleranz:																				
A	Standardisierung 08.06.2012 ds	finished condition/ tolerances:																				
		nach DIN 18202																				
Unit:	Änderung	Made in																				
issue	modification	date																				
	Name	dimensions in inch.																				
		DIN A3																				

Diese Zeichnung / Skizze ist Eigentum der wedi GmbH und unterliegt dem Urheberrecht. Die Vervielfältigung bedarf in jedem Fall der vorherigen, schriftlichen Zustimmung der wedi GmbH

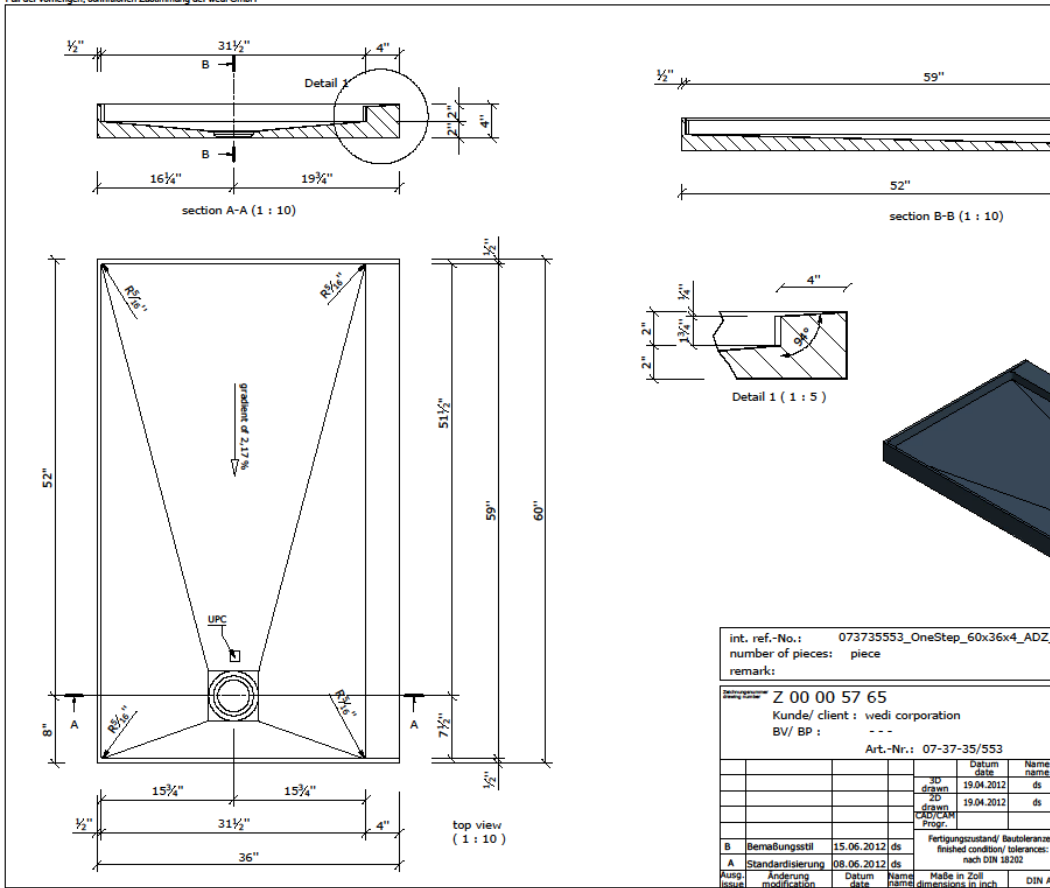


Diese Zeichnung / Skizze ist Eigentum der wedi GmbH und unterliegt dem Urheberrecht. Die Verwendung bedarf in jedem Fall der vorherigen, schriftlichen Zustimmung der wedi GmbH



int. ref.-No.:		073735552_OneStep_36x60x4_AZ	
number of pieces:		piece	
remark:			
Z 00 00 57 64			
Kunde/ client : wedi corporation			
BV/ BP : - - -			
Art.-Nr.: 07-37-35/552			
		Datum	Name
		date	name
		3D drawn	ds
		2D drawn	ds
		CAD/CAM	
		Prog.	
B	Bemaßungsstil	15.06.2012	ds
A	Standardisierung	08.06.2012	ds
Fertigungsstand/ Beutoleranzen: finished condition/ tolerances: nach DIN 18202			
Abg.	Anderung	Datum	Name
issue	modification	date	name
Made in Zoll dimensions in inch			
DIN A3			

Diese Zeichnung / Skizze ist Eigentum der wedi GmbH und unterliegt dem Urheberrecht. Die Verwendung bedarf in jedem Fall der vorherigen, schriftlichen Zustimmung der wedi GmbH.



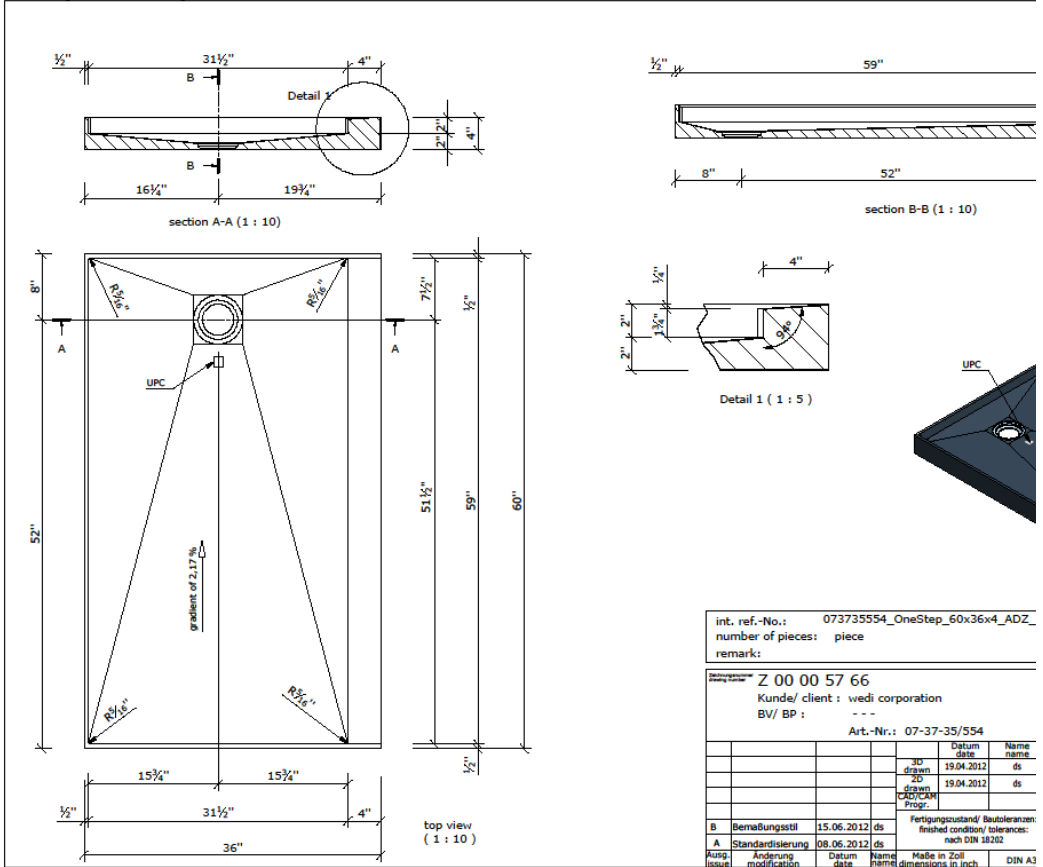
int. ref.-No.: 073735553_OneStep_60x36x4_ADZ_

number of pieces: piece

remark:

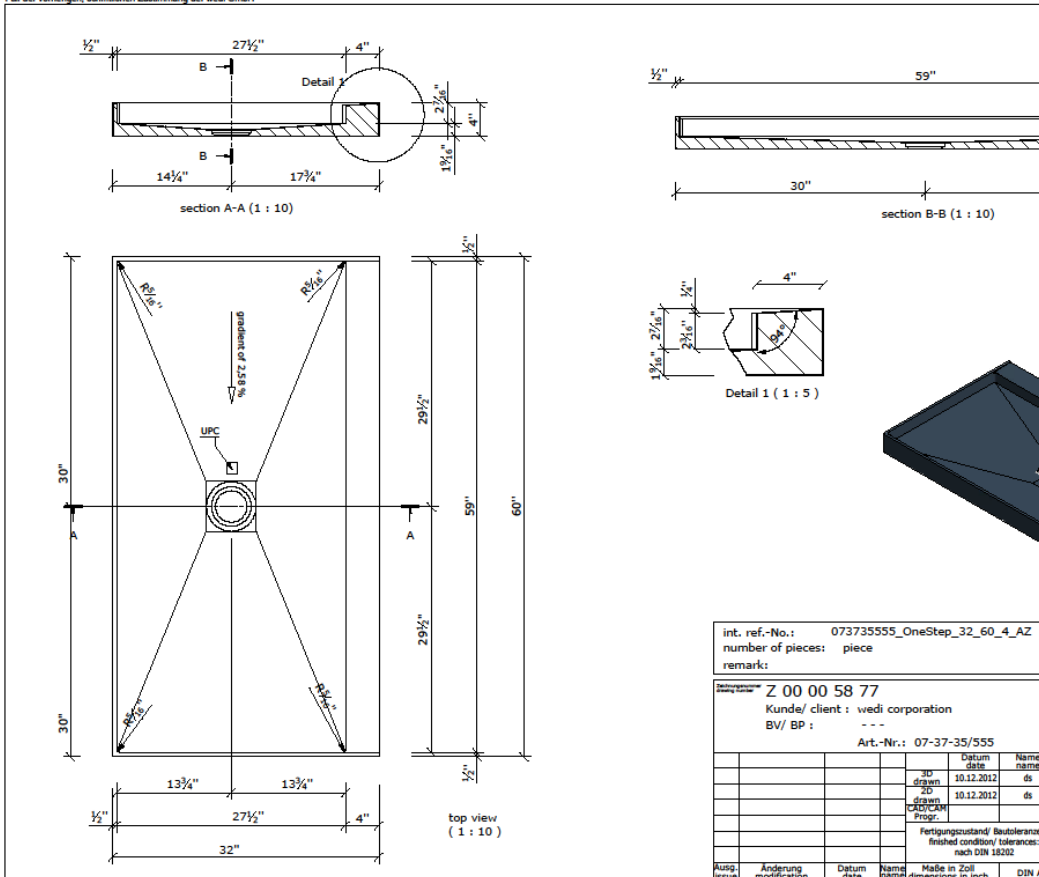
Drawing status			
Z 00 00 57 65			
Kunde/ client : wedi corporation			
BV/ BP : - - -			
Art.-Nr.: 07-37-35/553			
		Datum	Name
		30	ds
		19.04.2012	ds
		20	ds
		19.04.2012	ds
		ZUGRIFF über CAD-System	
		Progr.	
B	Bemaßungsstil	15.06.2012	ds
A	Standardsisierung	08.06.2012	ds
	Fertigungsstatus/ Butolezenzen finished condition/ tolerances: nach DIN 18202		
Auszg. issue	Änderung modification	Datum date	Name name
			Maße in Zoll dimensions in inch
			DIN A1

Diese Zeichnung / Skizze ist Eigentum der wedi GmbH und unterliegt dem Urheberrecht. Die Verwendung bedarf in jedem Fall der vorherigen, schriftlichen Zustimmung der wedi GmbH



int. ref.-No.:	073735554_OneStep_60x36x4_ADZ_	
number of pieces:	piece	
remark:		
Z 00 00 57 66		
Kunde/ client : wedi corporation		
BV/ BP : - - -		
Art.-Nr.: 07-37-35/554		
	Datum	Name
	19.04.2012	ds
	19.04.2012	ds
B	Bearbeitungsstil	15.06.2012 ds
A	Standardsisierung	08.06.2012 ds
Fertigungsstatus/ Buxtoleranz:		
nach DIN 18202		
Ausg.	Änderung	Datum
level	modification	date
		Name
		dimensions in inch.
		DIN A3

Diese Zeichnung / Skizze ist Eigentum der wedi GmbH und unterliegt dem Urheberrecht. Die Verwendung bedarf in jedem Fall der vorherigen, schriftlichen Zustimmung der wedi GmbH.



int. ref.-No.:	073735555_OneStep_32_60_4_AZ		
number of pieces:	piece		
remark:			
Part No.:	Z 00 00 58 77		
Kunde/ client:	wedi corporation		
BV/ BP:	- - -		
Art.-Nr.:	07-37-35/555		
		Datum	Name
	3D	10.12.2012	ds
	drawn		
	2D	10.12.2012	ds
	drawn		
	CAD/CAM		
	Prog.		
	Fertigungsstatus/ Baulozanzen:		
	finished condition/ tolerances:		
	nach DIN 18202		
Ausg.	Anderung	Datum	Name
issue	modification	date	name
			Made in Zoll
			dimensions in inch
			DIN A3

